

Submittal Data Sheet



Gobi II
Part # 3004045
Part # 3004145

Combi
Part # 3004046
Part # 3004146

Project Information

Job Name: _____	Submitted to: _____
Location: _____	For: <input type="checkbox"/> Reference <input type="checkbox"/> Approval <input type="checkbox"/> Construction
Date: _____	Submitted by: _____
Engineer: _____	Reference: _____

Submittal Information

Approval: _____	Construction: _____
Date: _____	Unit #: _____

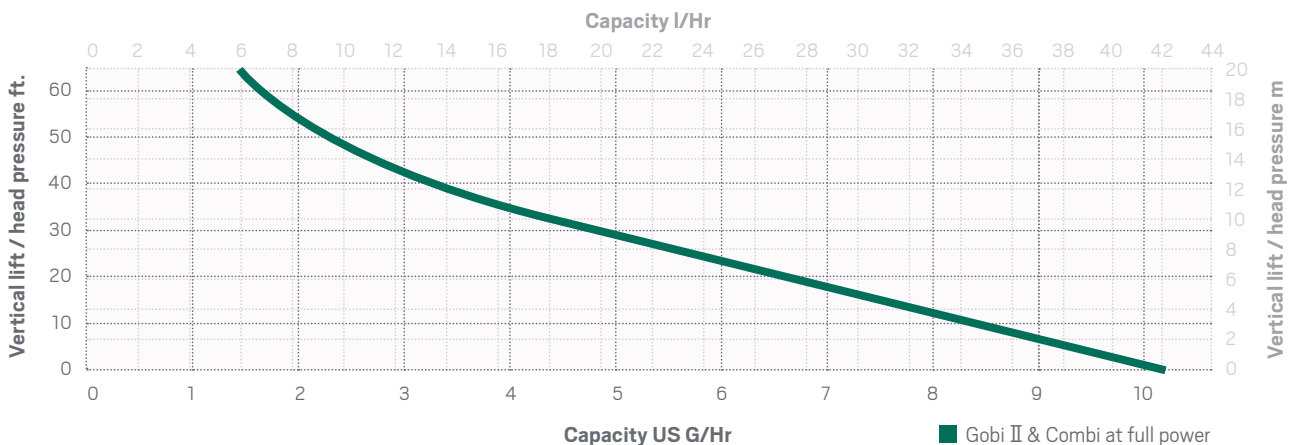
Product Specifications

Maximum flow rate:	42 l/h (11 GPH)
Maximum suction:	3 m (10 ft.) self priming
Maximum head:	20 m (65.60 ft.)
Maximum horizontal run:	100 m (330 ft.) at 0 head and 0 suction
Sound:	20dBA at 1 m (3 ft.) / 19dBA at 1 m EN ISO 3744:2010
Voltage:	100 ~ 240 VAC 50/60 Hz auto sensing universal power input
Power:	8 watts during maximum operation at 110V
Alarm relay:	Interchangeable NO or NC, rated 250V, 10A Max or 28VDC, 10AMax
Discharge tube:	6.25 mm (1/4") ID, 1m (3.3 ft.) in length
Color:	Gobi II: RAL #9003 white, Combi: RAL #7040 Grey and RAL #1023 Yellow
Protection:	Class II double insulation, Fully potted, IP44 Class I, Fully potted, IP44
Operation temp:	Ambient 3°C to 40°C (37.5°F to 104°F) / Water 5°C to 25°C (41°F to 77°F)
Compliance:	Conforms to UL: 778 and Certified to CSA C22.2 #68
Installation range:	6,000 – 120,000 Btu/H



Wiring diagrams available at: www.condensate-pumps.com

Capacity



View installation video at www.condensate-pumps.com



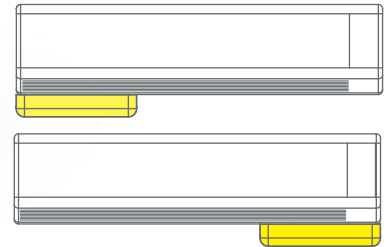
Download user manual at www.condensate-pumps.com

Dimensions & Application

Gobi II Part # 3004045 Part # 3004145

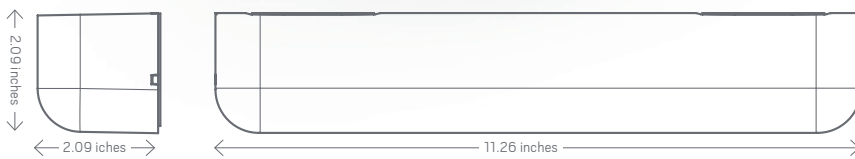


Application

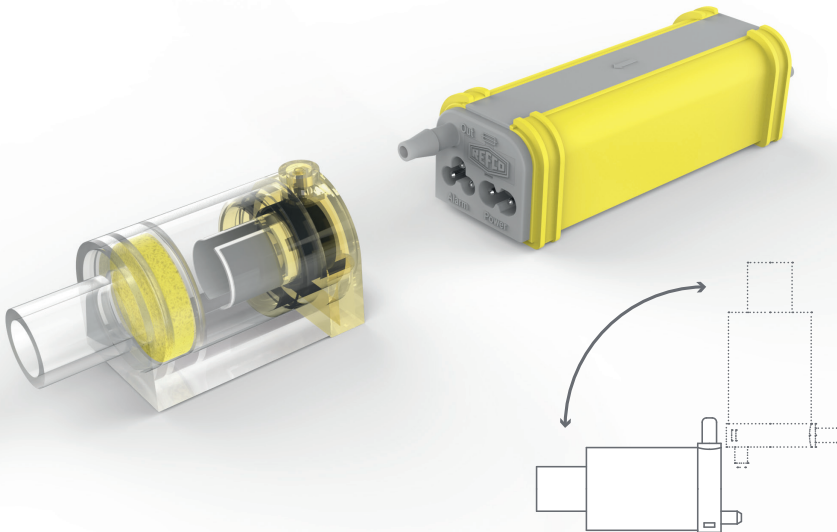


Gobi II pump can be mounted on the right or on the left side

Dimensions pump

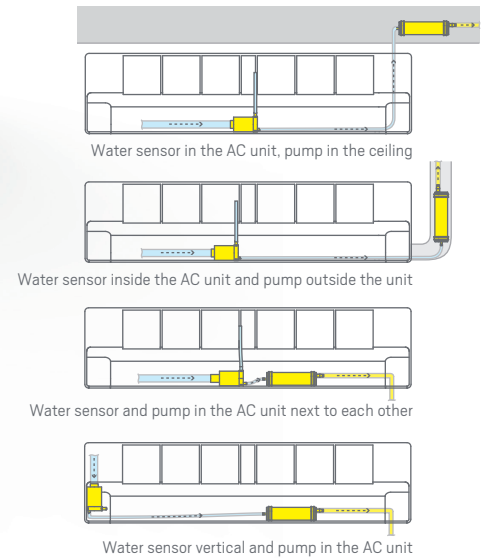


Combi Part # 3004046 Part # 3004146



Water sensor can be used horizontally or vertically.

Application



Dimensions pump



Dimensions water sensor

