

VAMP-F

3004238

EN

INSTRUCTION MANUAL

Condensate Pump

DE

BEDIENUNGSANLEITUNG

Kondensatpumpe

FR

MODE D'EMPLOI

Pompe à condensat

IT

ISTRUZIONE PER L'USO

Pompe scarico condensa

ES

MANUAL DE INSTRUCCIONES

Bomba de condensados

CONTENTS

1.0	Introduction	2
2.0	General Information	2
3.0	Specification	6
4.0	Product and Part Description	7
5.0	Alarm Relay Operation Table	8
6.0	LED Indication	8
7.0	Transport, Packaging and Storage	9
8.0	Installation	9
9.0	Maintenance	18
10.0	Troubleshooting	19
11.0	Guarantee	19
12.0	Return Disposal	20
13.0	Spare Parts and Accessories	20



1.0 Introduction


Congratulations on your purchase of this device.

The latest manual can be downloaded from www.refco.ch.

2.0 General Information

Before you start working with the VAMP-F, please read the operating instructions carefully. They contain important information for the successful operation, maintenance and disposal of the pump.

Conformity

	This device complies with the relevant European directives. The Declaration of Conformity is available from the specified contact details or on the REFCO website.
	Therefore, it also complies with the relevant UK regulations.
	RCM: Regulatory Compliance Mark This device complies with the requirements of the RCM regulations.
	RoHS: Restriction of Hazardous Substances This device meets the requirements of the RoHS EU directive. RoHS 2011/65/EU including 2015/863/EU. The device does not contain any prohibited substances above the maximum permissible values.
	In accordance with Article 33 of REACH Regulation 1907/2006, we confirm that this device and its packaging comply with Article 57 of REACH Regulation 1907/2006. This device and its packaging do not contain any of the SVHC specified in the

current candidate list (Article 59) at concentrations above 0.1%.

Important Safety Instructions



Please read and follow all safety instructions and installation instructions carefully and read it completely before the job.

Explanation of Symbols



Warning

Indicates a potentially hazardous situation which, if not avoided, may result in serious injury.



Danger

Indicates an electrical hazard. Failure to observe the safety instructions may result in serious or fatal injury.



Double insulated. When servicing, use only identical replacement parts.

Safety Instructions

Print safety instructions in letter A/DIN A4.



Follow local safety regulations and regional electrical codes applicable to the area in which the condensate pump is being used.



Installation only by appropriately trained personnel with sufficient technical training and tools.



This appliance is not intended for use by persons (including children under 8) with reduced physical, sensory or mental capabilities, or lack of experience and knowledge, unless they have been given supervision or instruction concerning use of the appliance by a person

responsible for their safety.

Children should be supervised to ensure that they do not play with the appliance.



For indoor use only. To identify electrical equipment designed primarily for indoor use.



Disconnect all electrical power before starting installation, maintenance, or service work.



Do not install the REFCO condensate pump if there are any signs of damage.



The installation cord must be checked for signs of damage before installation and periodically thereafter. If a cord is damaged, it must be replaced by the correct part supplied either by REFCO or by an approved service agent.



The condensate pump cords should not be cut and should be routed so that they cannot be damaged during and after installation.



All tubing connections are to be secured in place on the barb connections using self-locking cable tie-wraps or a clamp.



Do not allow any chemicals to come in contact with the condensate pump. Please remove the pump and water sensor before using any coil cleaning solutions and other chemicals. Flush the evaporator coils with water before reinstalling the condensate pump and water sensor.

Ensure the evaporator coils are free of chemicals before reinstallation of the REFCO pump.

Installation cable must not experience a tensile load.

Installation cable must be completely pushed in to the jack.

Only use the original installation cable.



Do not install items nearby with significant heat impact on the pump.



Power supply to the pump must be current limited to less than 7A.

The indoor unit wired through violet and grey alarm wires must not pull more than 5A.



The pump must not be exposed to sunlight.

Intended Use

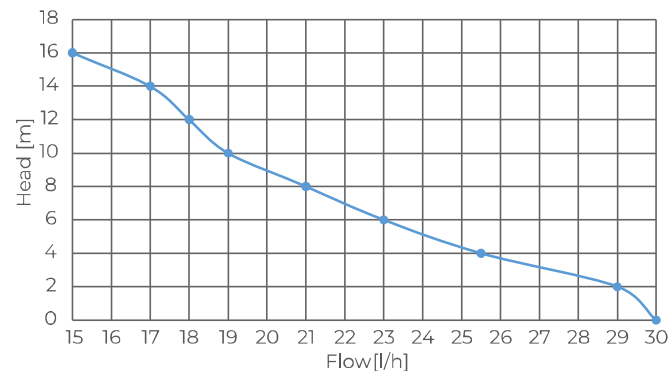
The VAMP-F condensate pump is intended for use as condensate removal unit and must be installed fully within enclosures of electric heat pumps, air-conditioners, indoor units and dehumidifiers. This includes ceiling cassettes, underfloor convectors and wall-mounted convectors.

It is for indoor use only and it is not submersible.

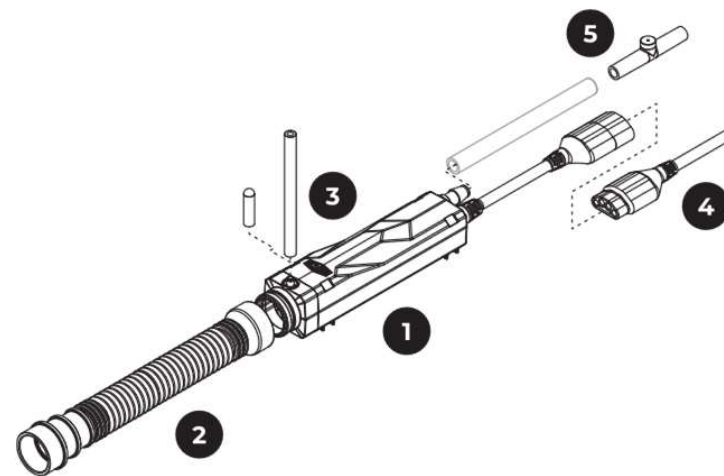
3.0 Specification

Maximum flow rate	22 l/h (6 GPH)
Maximum cooling capacity	18.5 kW (63'000 BTU/h)
Maximum suction lift	2 m (6.6 ft)*
Maximum discharge height	15 m (50 ft)
Maximum horizontal run	75 m (250 ft) at 0 m head and 0 m suction
Electrical rating	100-240 VAC, 50-60 Hz, 6 W
Alarm relay rating	Zero volt, normally closed (NC), failsafe 5 A 250 VAC, 5 A 30 VDC
Temperature protection	Software-controlled sensor
Protection class	II
Ingress protection	Fully potted IP67 cable connector IP44
Operating temperature range	3 °C – 40 °C (37 °F – 104 °F)
Water temperature range	5 °C – 40 °C (37 °F – 104 °F)
Storage temperature range	-20 °C – 70 °C (-4 °F – 158 °F)
Sound	<20 dB(A) at 1 m (3 ft) distance
Discharge tube (not included)	¼" or 6 mm
Overall dimensions	30 × 26 × 128 mm (1.2 × 1.0 × 5.0")
Weight	140 g (4.9 oz)
Colour	Black (RAL 9001)
Conformity	CE

* no suction lift applicable for VAMP-F.



4.0 Product and Part Description











- 1 VAMP-F pump
- 2 Posable hose with filter
- 3 Vent tube
- 4 Installation cable
- 5 Anti-siphon valve

5.0 Alarm Relay Operation Table

Pump Status	Condensate Level	Default Operation
Not powered	N/A	NC ○ — ○ COM
Powered	Below alarm level	NC ○ — ○ COM
Powered	Alarm activated	NC ○ — ○ COM

6.0 LED Indication

■ red ■ green

Status	LED Pattern	Reason
Not powered		Miswired, unplugged or no voltage
Startup LED		Pump is starting
Idle		No water to pump
Pumping water		Pump is running
High water level		Increased pump speed
Alarm mode relay		High water level, alarm activated
High temperature		High temperature detected
Invalid state		Sensor needs cleaning

7.0 Transport, Packaging and Storage

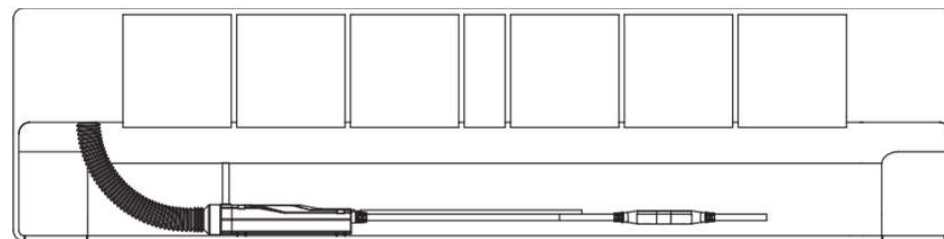
The VAMP-F comes in a cardboard box to protect the parts. The cardboard box protects against vibrations during transport and handling. Always use the cardboard box to protect the VAMP-F and accessories and secure it to the cargo area during transport.

The storage temperatures (Section 3) must be maintained, and the packaging must be closed. Do not expose to direct sun and to high temperature, e.g. within service vehicles.

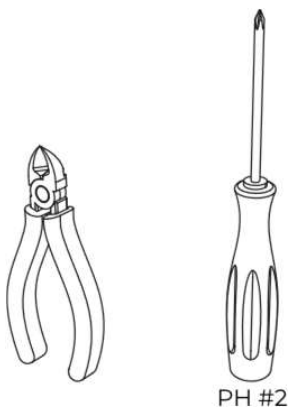
8.0 Installation

8.1 Application

The REFCO VAMP-F is intended for use within an air-conditioning indoor unit. Its purpose is to remove condensate water from the indoor unit's drain pan in circumstances where the unit's drain hose is not sufficient.

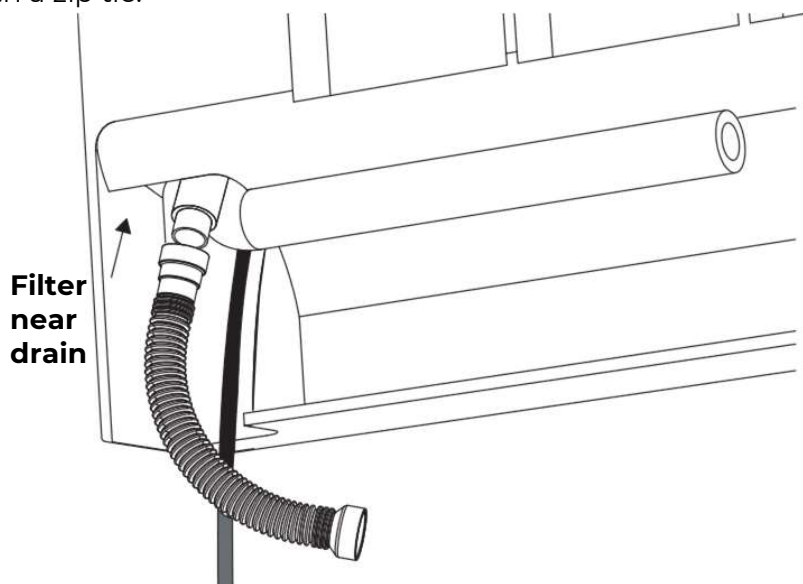


8.2 Tools needed



8.3 Install Posable Hose

Disconnect flexible drain hose from the drain pan outlet. Push the posable hose onto the drain pan outlet and secure in place with a zip tie.

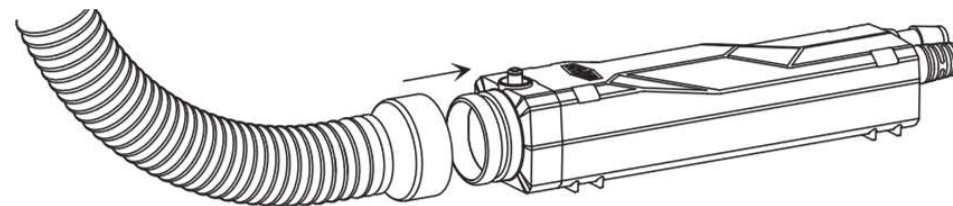


8.4 Connect Pump to Posable Hose

Place the pump at a suitable location within the line-set cavity of the indoor unit, such that it is possible to connect the pump's water inlet to the posable hose.

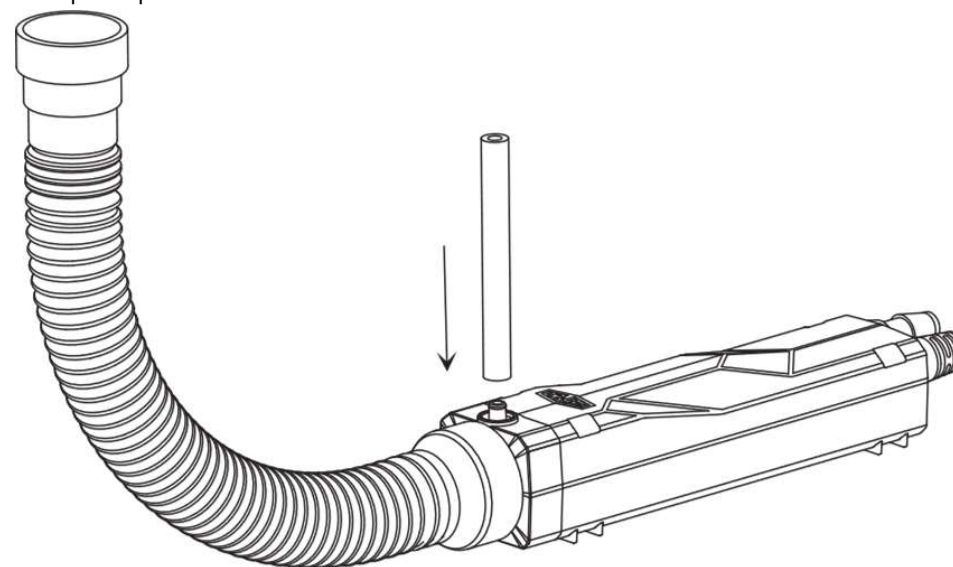
Push the free end of the posable hose onto the water inlet of the pump, and secure in place with a zip tie.

You must ensure that the pump is upright, such that the vent hose nozzle is facing upwards, to ensure correct operation of the pump.



8.5 Vent Tube

Push the supplied vent tube onto the nozzle, as shown. Make sure that the top of the tube is higher than the water in the posable hose and the drain pan will be. If necessary, secure the vent tube to ensure that it does not move when the product is in use. Operating the pump without vent tube installed is not recommended.

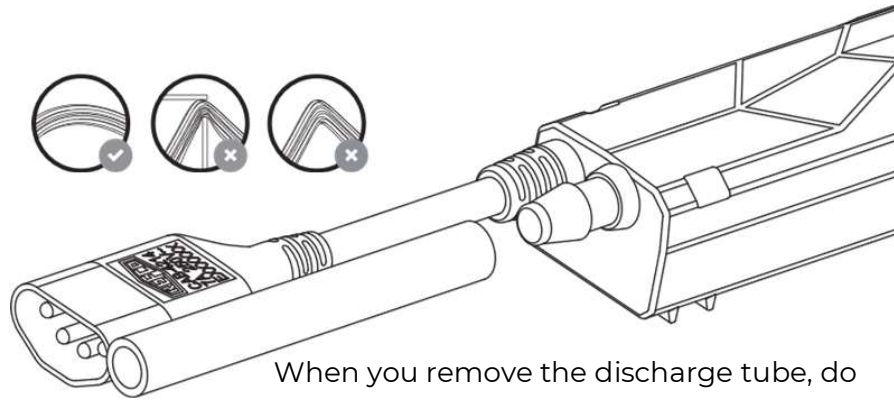


8.6 Locate Pump (flat)

Horizontal installation of the pump is essential for operation. Mount the pump with two cable ties to the flat surface.

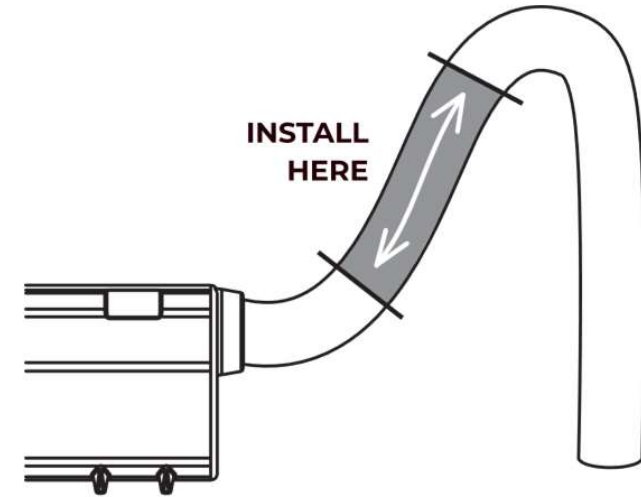
8.7 Connect Discharge Tube

Connect ¼" / 6 mm discharge tube to the outlet connector. Ensure that the discharge tube has no kinks along its length that will prevent water from flowing.



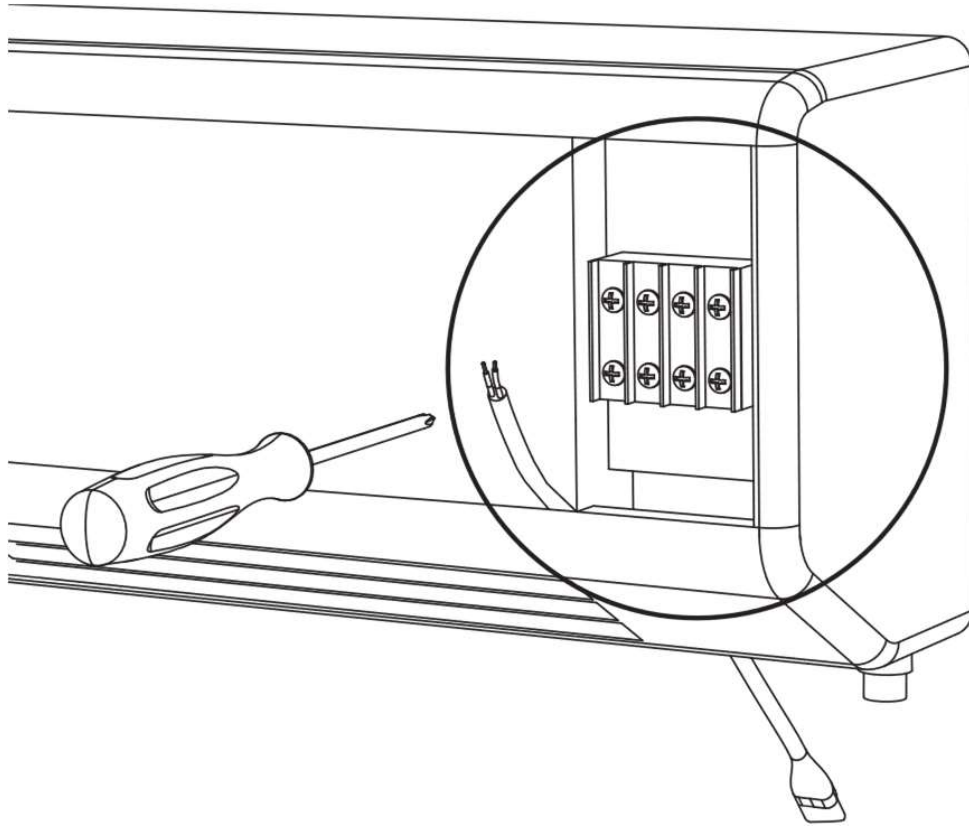
When you remove the discharge tube, do always use a knife cutting the tube. Too heavy force may destroy the pump.

8.8 Install the anti-siphon valve in your discharge tube.



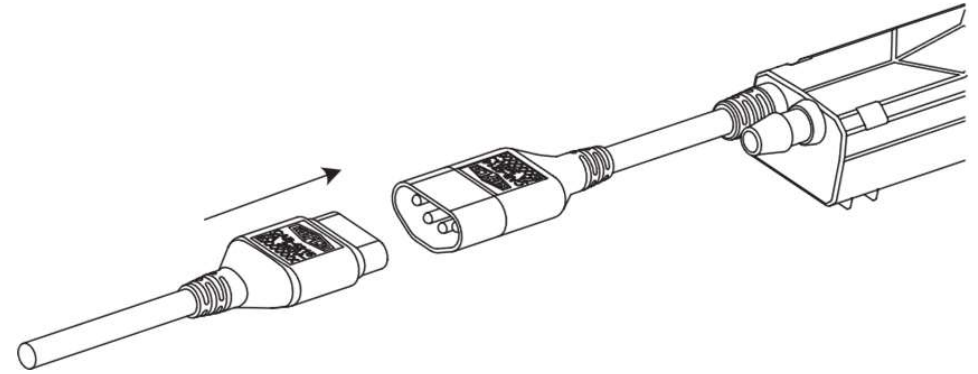
8.9 Install Installation Cable

The installation cable should be connected to the power terminal block within the indoor unit.



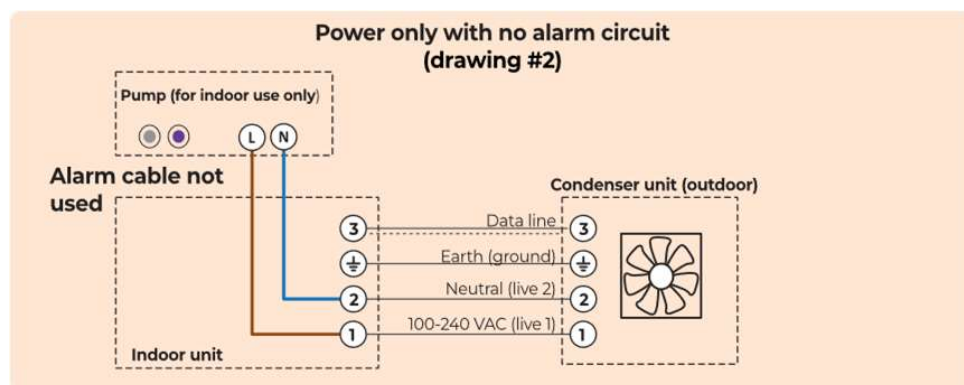
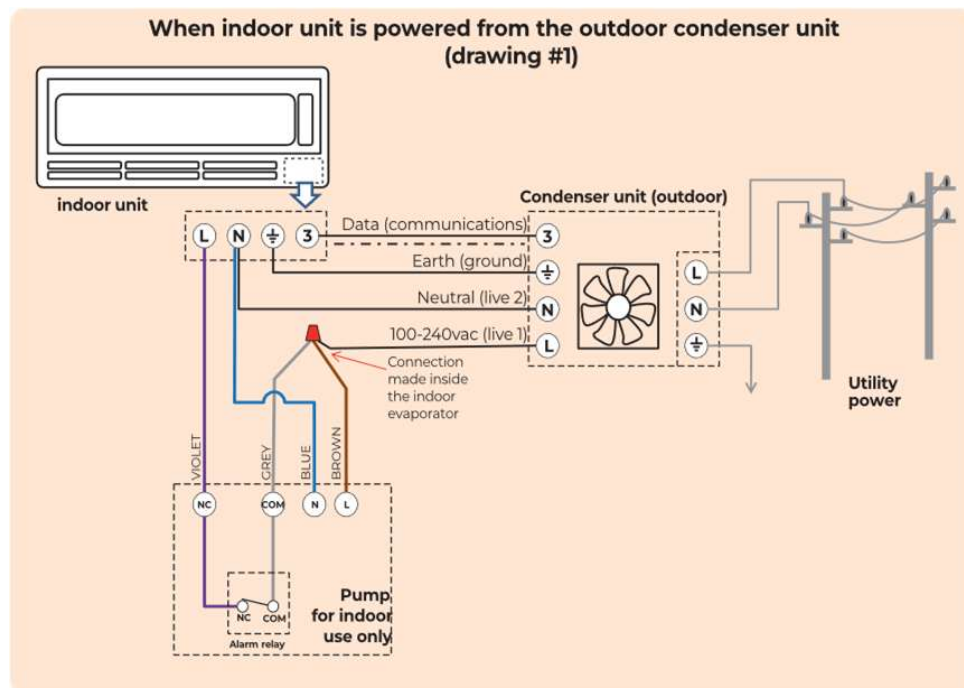
Optionally, the grey and violet wires can be connected to switch the power to the indoor unit. This will allow the pump to deactivate the unit in the event too much water is being generated for the pump to be able to handle.

8.10 Make Connection between Installation Cable and Pump



8.11 Wiring

Examples of connections both with and without the alarm relay are shown below. The alarm relay can be used to deactivate the source of condensate water in the event that the VAMP-F pump has detected a higher water level than expected.



8.12 Commissioning

Once installation has been completed, restore the power connection to the device.

You should see a periodic flashing LED to indicate normal operation of the pump.

Add water with a dispensing bottle to the condensate pan/tray, which will drain into the posable hose. When sufficient water has entered the pump reservoir, the pump will activate and drain the water away.

If you have used the alarm relay in your installation, check it by adding enough water to maintain a water level above the top of the pump for at least five seconds. After three seconds' pumping, the alarm relay will activate, which cuts the power to your indoor unit. This does not cut the power to the pump itself. It will continue to run until the water has been emptied from the reservoir, at which point the alarm relay will switch restoring power to the indoor unit.

Final check:

- LED blinks green
- Applying water: LED changes to permanent green and then red
- Pump is horizontally installed
- Anti-siphon valve is installed
- Vent tube is installed
- Cable ties used for fixation of posable hose, pump, discharge tube

9.0 Maintenance

In order to sustain optimal performance, your VAMP-F pump should be inspected and cleaned as part of your system's regular maintenance schedule. Cleaning at least once a year is recommended.

9.1 Cleaning of Sensor

Remove the posable hose from the front of the pump unit. Using a flashlight or other light source, check the optical sensor in the front of the pump. If it is dirty or there is an accumulation of, e.g. algae, then clean the sensor gently with a damp cloth. Do not use solvents other than water when cleaning the optical sensor.

9.2 Change of Filter and Posable Hose

The posable hose has an integrated filter to prevent particles from damaging or clogging your pump and hoses. If necessary, remove the filter and clean the filter and the hose in soapy water, and then replace the filter.

If the posable hose is damaged or too dirty to clean, it can be replaced by removing it from the drain pan outlet and pump, and then installing the replacement part.

9.3 Replacing the Pump

Check the pump body and electrical cables for any signs of damage. If any damage is found, isolate the electrical supply to the indoor unit and pump before replacing the damaged part.

10.0 Troubleshooting

Fault	Corrective Action
No LED lights	Check the electrical supply to the pump. If the electrical supply is good, replace the pump.
Pump runs constantly even without water	<p>Check that the pump body is flat, i.e. horizontal, and not tilted over from back to front or from side to side.</p> <p>Check the optical sensor for contamination and clean, if necessary, as instructed in the Maintenance section of this manual.</p> <p>Check the discharge tube for blockages or kinks. Replace the tube if necessary.</p>

11.0 Guarantee

Your new, state-of-the-art VAMP-F has been developed in accordance with the latest findings in occupational physiology and ergonomics. REFCO Manufacturing Ltd has been certified to DIN EN ISO 9001:2008. Permanent quality control checks as well as an accurate manufacturing process guarantee reliable functionality and are the basis for the REFCO guarantee, in accordance with the General Terms and Conditions of Sale and Delivery applicable on the day of delivery. Excluded from the guarantee are damage caused by obvious maltreatment and wear and tear.

12.0 Return Disposal

The VAMP-F has been developed for long-term use. Attention was paid to energy saving and environmental compatibility at the material procurement and production stages. REFCO embraces its responsibility towards the environment and has therefore been certified in accordance with DIN EN ISO 14001:2015. When decommissioning the device, the user must follow local disposal regulations. The housing is made of PA, the other plastic parts are made from PA and the electronics is FR4. The packaging is cardboard box.



13.0 Spare Parts and Accessories

Spare parts	Designation	Part no.
Posable hose with filter #4	POSABLE-HOSE/4	4689088
Anti-siphon valve #4	HSG-4065/4	3004065
Installation cable	CP-INSTALLATION-CABLE	4689089
Accessories		
In-line filter	IN-LINE FILTER	4678597
Star tube (50' / 15 m)	STAR-TUBE-600	3004186
Star tube and anti-siphon	KIT-4087	3004087

INHALTSVERZEICHNIS

1.0	Einleitung	22
2.0	Allgemeines	22
3.0	Spezifikation	27
4.0	Produkt- und Teilebeschreibung	28
5.0	Alarmrelais-Betriebstabelle	29
6.0	LED-Anzeige	29
7.0	Transport, Verpackung und Lagerung	30
8.0	Installation	30
9.0	Wartung	39
10.0	Fehlerbehebung	40
11.0	Garantie	40
12.0	Entsorgung	41
13.0	Ersatzteile und Zubehör	41

1.0 Einleitung

Vielen Dank für den Kauf dieses Geräts. Die aktuelle Bedienungsanleitung kann unter www.refco.ch heruntergeladen werden.

2.0 Allgemeines

Bevor du mit der VAMP-F arbeitest, lies bitte zuerst die Betriebsanleitung sorgfältig durch. Sie beinhaltet wichtige Informationen für den erfolgreichen Betrieb, Wartung und Entsorgung der Pumpe.

Konformität

	Dieses Gerät entspricht den relevanten europäischen Richtlinien. Die Konformitätserklärung ist unter den angegebenen Kontaktdaten oder auf der REFCO Website erhältlich.
	Daher entspricht es auch den relevanten britischen Vorschriften.
	Dieses Gerät erfüllt die Anforderungen der RCM-Vorschriften.
RoHS	RoHS: Beschränkung gefährlicher Stoffe Dieses Gerät erfüllt die Anforderungen der EU-Richtlinie RoHS. RoHS 2011/65/EU einschliesslich 2015/863/EU Dieses Gerät enthält keine verbotenen Stoffe oberhalb der zulässigen Höchstwerte.
REACH	Gemäss Artikel 33 der REACH-Verordnung 1907/2006 bestätigen wir, dass dieses Gerät und seine Verpackung mit Artikel 57 der

	REACH-Verordnung 1907/2006 übereinstimmen. Dieses Gerät und seine Verpackung enthalten keine der in der aktuellen Kandidatenliste (Artikel 59) aufgeführten besonders besorgniserregenden Stoffe in Konzentrationen über 0,1%.
--	---

Wichtige Sicherheitshinweise



Bitte lese und befolge alle Sicherheitshinweise und Installationsanweisungen sorgfältig und lese sie vor der Arbeit vollständig durch.

Erklärung der Symbole

Warnung



Weist auf eine potenziell gefährliche Situation hin, die, wenn sie nicht vermieden wird, zu schweren Verletzungen führen kann.

Gefahr



Weist auf eine elektrische Gefahr hin. Die Nichtbeachtung der Sicherheitshinweise kann zu schweren oder tödlichen Verletzungen führen.



Doppelt isoliert: bei Wartung nur Originalersatzteile verwenden.

Sicherheitsanweisungen

Sicherheitsanweisungen in Letter A/DIN A4 ausdrucken.



Befolge die örtlichen Sicherheitsvorschriften und die regionalen Elektrovorschriften, die für das Gebiet gelten, in dem die Kondensatpumpe eingesetzt wird.



Installation nur durch entsprechend geschulten Personals mit ausreichender technischer Ausbildung und Werkzeug.



Dieses Gerät ist nicht dafür bestimmt durch Personen (einschliesslich Kinder unter 8 Jahren) mit eingeschränkten physischen, sensorischen oder geistigen Fähigkeiten oder mangels Erfahrung und Wissen benutzt zu werden, es sei denn, du wirst durch eine für deine Sicherheit zuständige Person beaufsichtigt oder erhieltest von ihr Anweisungen, wie das Gerät zu benutzen ist.

Kinder müssen beaufsichtigt werden, um sicherzustellen, dass sie nicht mit dem Gerät spielen.



Nur für den Gebrauch in Innenräumen. Zur Kennzeichnung elektrischer Geräte, die hauptsächlich für die Verwendung in Innenräumen vorgesehen sind.



Trenne die Stromversorgung, bevor du mit Installations-, Wartungs- oder Servicearbeiten beginnst.



Installiere die REFCO-Kondensatpumpe nicht, wenn sie Anzeichen von Schäden aufweist.



Das Installationskabel muss vor der Installation und danach in regelmässigen Abständen auf Anzeichen von Schäden überprüft werden. Wenn ein Kabel beschädigt ist, muss es durch das richtige Teil ersetzt werden, das entweder von der REFCO oder von einem zugelassenen Kundendienstunternehmen geliefert wird.

Die Kabel der Kondensationspumpe dürfen nicht abgeschnitten werden und müssen so verlegt werden, dass sie während oder nach der Installation nicht beschädigt werden können.



Alle Schlauchverbindungen sind mit selbstsichernden Kabelbindern oder einer Schelle am Anschluss zu befestigen.



Achte darauf, dass keine Chemikalien mit der Kondensatpumpe in Kontakt kommen. Bitte entferne die Pumpe mit dem Wasserfühler, bevor du Reinigungslösungen oder andere Chemikalien verwendest. Spüle die Verdampferschlangen mit Wasser, bevor du die Kondensatpumpe mit dem Wasserfühler wieder einbaust. Stelle sicher, dass die Verdampferschlangen frei von Chemikalien sind, bevor du die REFCO-Pumpe wieder einbaust.



Das Installationskabel darf nicht auf Zug beansprucht werden. Das Installationskabel muss vollständig in die Buchse eingeschoben werden. Verwende nur das Original-Installationskabel.



Installiere keinen wärmeerzeugenden Geräten in der Nähe der Pumpe, welche die Pumpe beschädigen können.



Die Stromerzeugung der Pumpe muss eine Absicherung bei maximal 7A vorweisen.

Das mit violetten und grauen Alarmdrähten verdrahtete Innengerät darf nicht mehr als 5A ziehen.



Die Pumpe darf nicht der Sonne ausgesetzt werden.

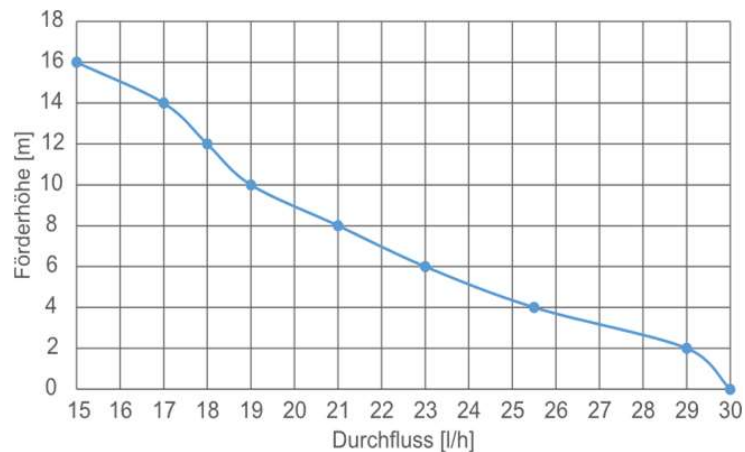
Bestimmungsgemäßer Gebrauch

Die VAMP-F Kondensatpumpe ist zur Entfernung von Kondensatwasser gedacht und muss vollständig innerhalb eines Gehäuses einer elektrischen Wärmepumpe, eines Entfeuchters und Klima-Innengerätes installiert werden. Dies beinhaltet Kassettengeräte, Unterflur-Konvektoren und Wand-montierte Konvektoren. Nur zur Verwendung im Innenbereich. Nicht tauchfähig.

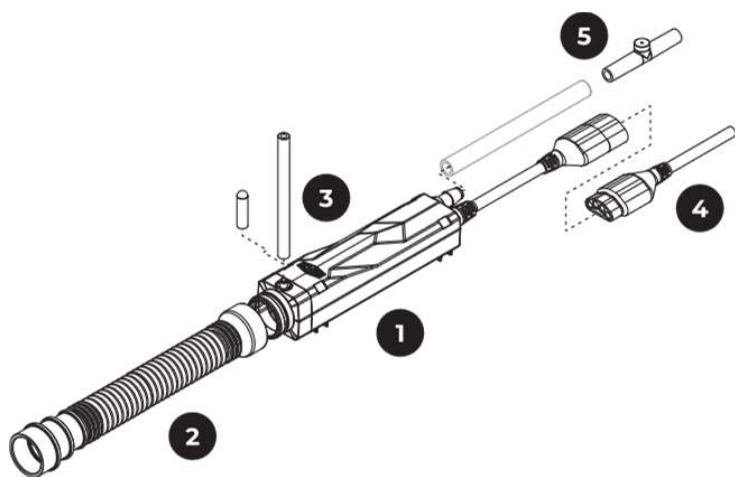
3.0 Spezifikation

Maximale Durchflussmenge	22 l/h (6 GPH)
Maximale Kühlleistung	18.5 kW (63'000 BTU/h)
Maximale Saughöhe	2 m (6.6 ft)*
Maximale Förderhöhe	15 m (50 ft)
Maximaler Horizontaler Förderweg	75 m (250 ft) bei 0 m Förderhöhe und 0 m Saughöhe
Elektrische Werte	100 - 240 VAC, 50 - 60 Hz, 6 W
Alarmrelais	Potentialfreier Öffner (NC), ausfallsicher 5 A 250 VAC, 5 A 30 VDC
Temperaturschutz	Software-gesteuerter Sensor
Schutzklasse	II
Schutzart	Vollständig vergossen IP67 Kabelstecker IP44
Betriebstemperaturbereich	3 °C – 40 °C (37 °F – 104 °F)
Wassertemperaturbereich	5 °C – 40 °C (37 °F – 104 °F)
Lagertemperaturbereich	-20 °C – 70 °C (-4 °F – 158 °F)
Geräuschpegel	<20 dB(A) bei 1 m (3 ft) Abstand
Abflussschlauch (nicht enthalten)	¼" oder 6 mm
Dimensionen	30 × 26 × 128 mm (1.2 × 1.0 × 5.0")
Gewicht	140 g (4.9 oz)
Farbe	Schwarz (RAL 9001)
Zulassung	CE,

* keine Saughöhe anwendbar für VAMP-F.



4.0 Produkt- und Teilebeschreibung



- 1 VAMP-F Pumpe
- 2 Ausziehbarer Flexschlauch mit Filter
- 3 Lüftungsrohr
- 4 Installationskabel
- 5 Siphon-Stopp Vorrichtung

5.0 Alarmrelais-Betriebstabelle

Pumpenstatus	Kondensat Level	Standardbetrieb
Stromlos	N/A	NC ○ ○ COM
mit Strom versorgt	Unterhalb Alarmstufe	NC ○ ○ COM
mit Strom versorgt	Alarm aktiviert	NC ○ ○ COM

6.0 LED-Anzeige

■ rot ■ grün

Status	LED-Abfolge	Indikation
Stromlos		Falsch angeschlossen, ausgesteckt, spannungsfrei
LED-Startsequenz		Pumpe startet
Standby Modus Warten auf Wasser		Kein Wasser zum Pumpen
Pumpt Wasser		Pumpe läuft in niedriger Leistung
Hochwasser Modus		Erhöhte Pumpenleistung
Alarmmodus Alarmrelais aktiviert		Höchstes Wasserlevel und Alarm aktiviert
Übertemperatur		Zu hohe Temperatur in Pumpe
Ungültiger Zustand		Sensor benötigt Reinigung

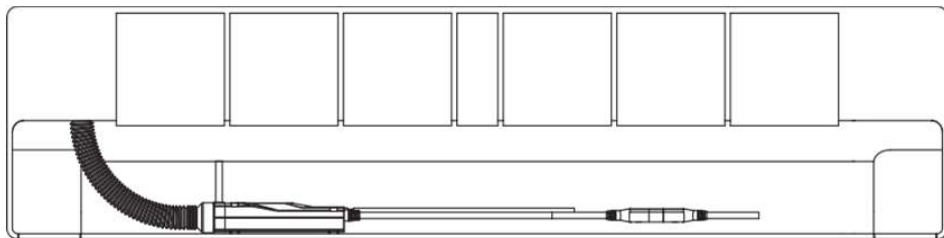
7.0 Transport, Verpackung und Lagerung

Der VAMP-F wird zum Schutz der Teile in einem Karton geliefert. Der Karton schützt vor Erschütterungen während des Transports und der Handhabung. Verwende den Karton immer zum Schutz des VAMP-F und des Zubehörs und sichere ihn während des Transports auf der Ladefläche. Die Lagertemperaturen (Abschnitt 3) müssen eingehalten werden, und die Verpackung muss geschlossen sein. Nicht der direkten Sonne und hohen Temperaturen aussetzen, z. B. in Servicefahrzeugen.

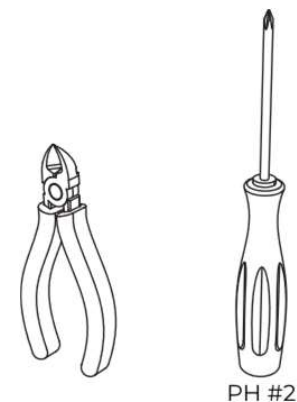
8.0 Installation

8.1 Anwendung

Die VAMP-F ist für die Verwendung in einem Innengerät einer Klimaanlage vorgesehen. Sie dient dazu, das Kondenswasser aus der Auffangwanne des Innengeräts zu entfernen, wenn der Abflussschlauch des Geräts nicht ausreicht.

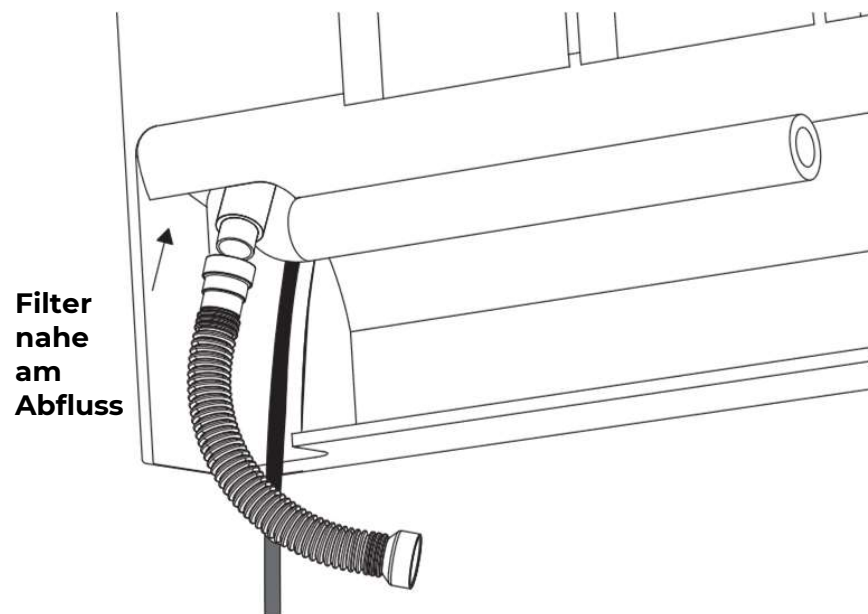


8.2 Benötigte Werkzeuge



8.3 Flexschlauch installieren

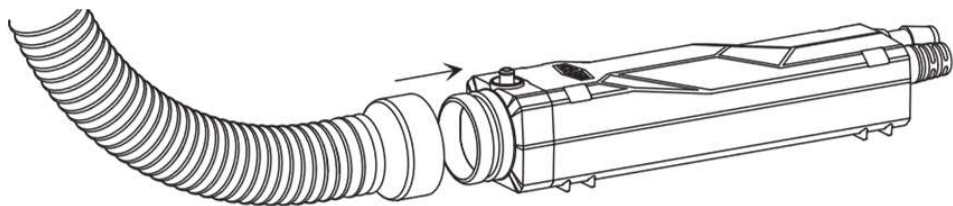
Trennen den vorhandenen Kondensatwasserschlauch vom Kondensatwannenanschluss. Schieb den ausziehbaren Flexschlauch auf den Kondensatwannenanschluss und sichere ihn mit einem Kabelbinder.



8.4 Pumpe an den ausziehbaren Flexschlauch anschliessen
Platziere die Pumpe an einer geeigneten Stelle im Leitungsschacht des Innengeräts, so dass der Wasserzulauf der Pumpe mit dem ausziehbaren Flexschlauch verbunden werden kann.

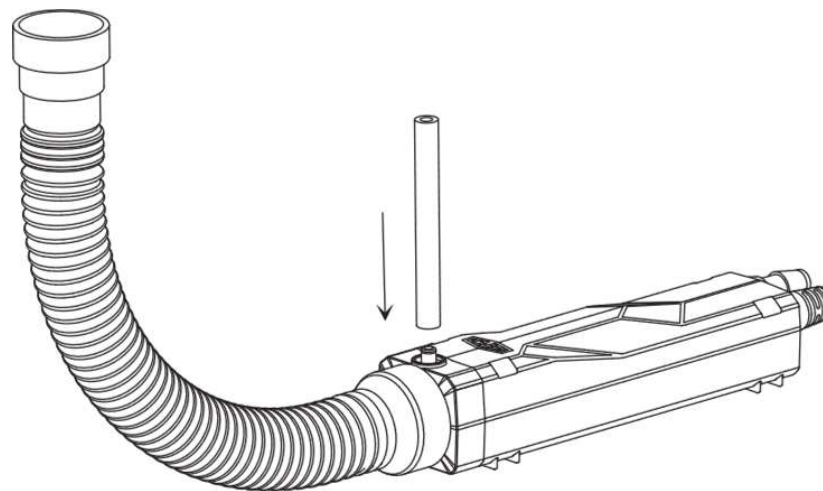
Schiebe das freie Ende des ausziehbaren Flexschlauch auf den Wasserzulauf der Pumpe und sichere es mit einem Kabelbinder. Stell sicher, dass die Pumpe horizontal steht, so dass der Anschluss des Lüftungsrohrs nach oben zeigt, um einen korrekten Betrieb der Pumpe zu gewährleisten.

Die waagrechte Installation der Pumpe ist für den Betrieb essenziell.



8.5 Lüftungsrohr

Schiebe das mitgelieferte Lüftungsrohr auf den Anschluss, wie unten abgebildet. Achte darauf, dass das obere Ende des Rohrs höher liegt als das Wasser im ausziehbaren Flexschlauch und in der Kondensatwanne. Sichere das Lüftungsrohr gegebenenfalls, um sicherzustellen, dass es sich nicht bewegt, wenn das Produkt in Gebrauch ist. Betrieb der Pumpe ohne installiertes Lüftungsrohr wird nicht empfohlen.

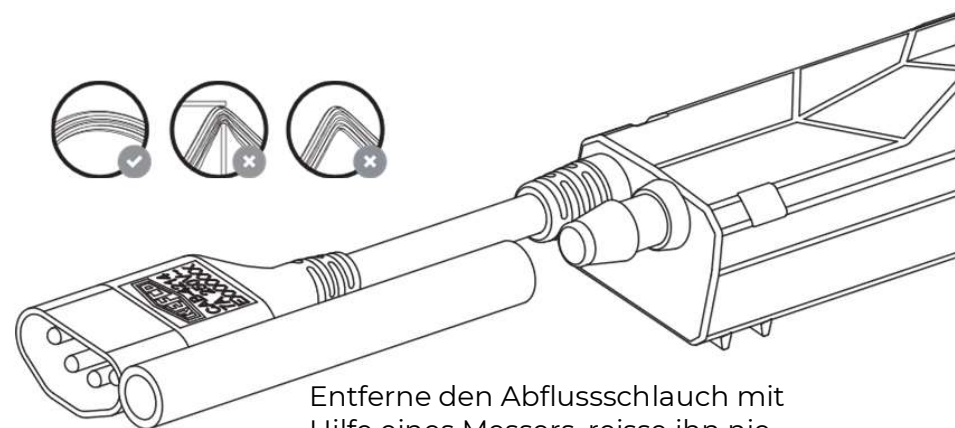


8.6 Pumpe positionieren (flach)

Der waagrechte Einbau der Pumpe ist für deinen Betrieb unerlässlich. Befestige die Pumpe mit zwei Kabelbinder auf einer ebenen Fläche.

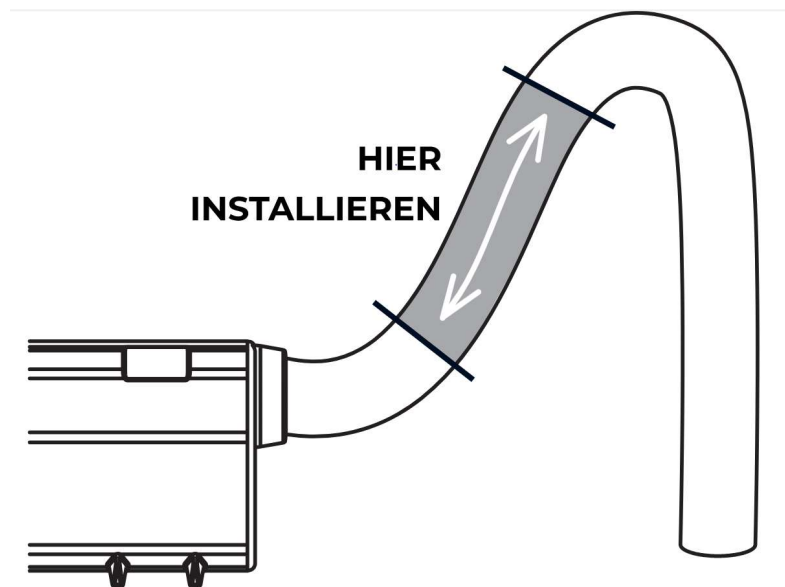
8.7 Abflussschlauch anschliessen

Schliesse den ¼" / 6 mm Abflussschlauch an den Ausgangsanschluss an. Achte darauf, dass der Abflussschlauch keine Knicke aufweist, die den Wasserfluss behindern würden.



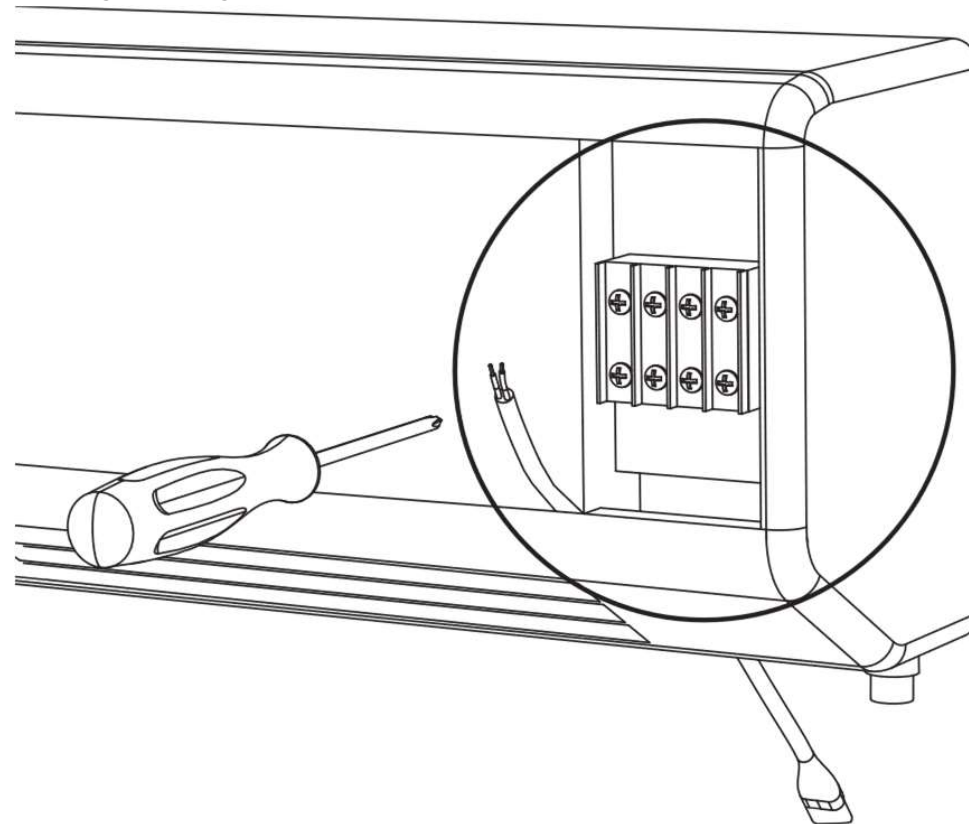
Entferne den Abflussschlauch mit Hilfe eines Messers, reisse ihn nie raus. Zu hohe Kräfte auf Pumpe können Schäden verursachen.

- 8.8 Installiere die Siphon-Stopp Vorrichtung in deinem Abflussschlauch.



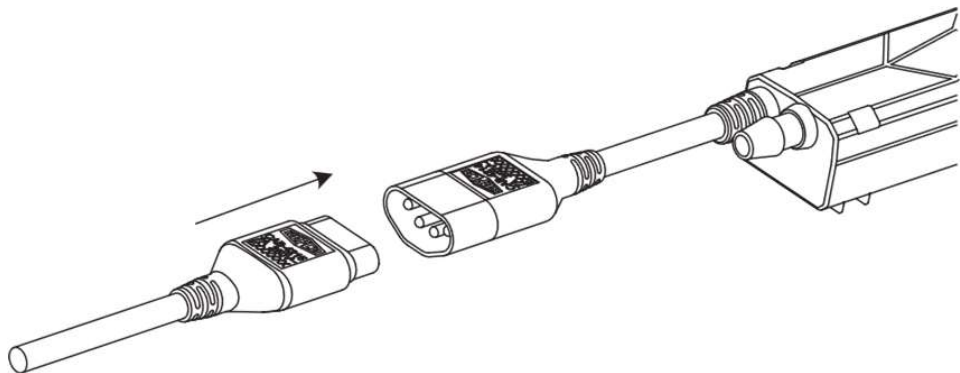
- 8.9 Installationskabel installieren

Das Installationskabel muss an die Netzanschlussklemme im Innengerät angeschlossen werden.



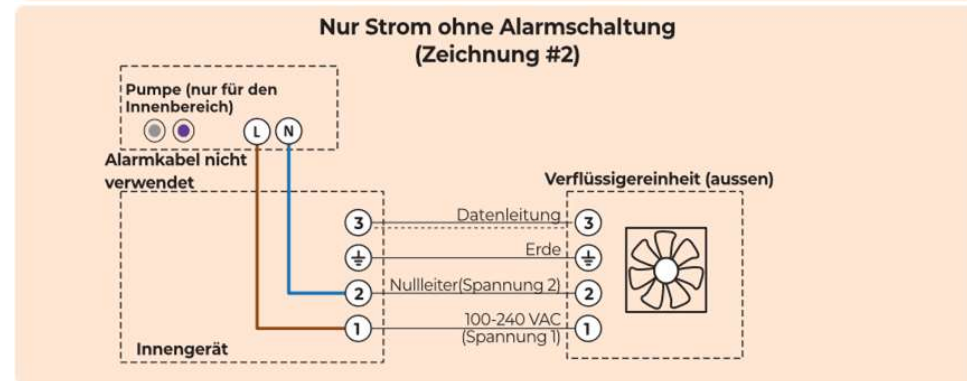
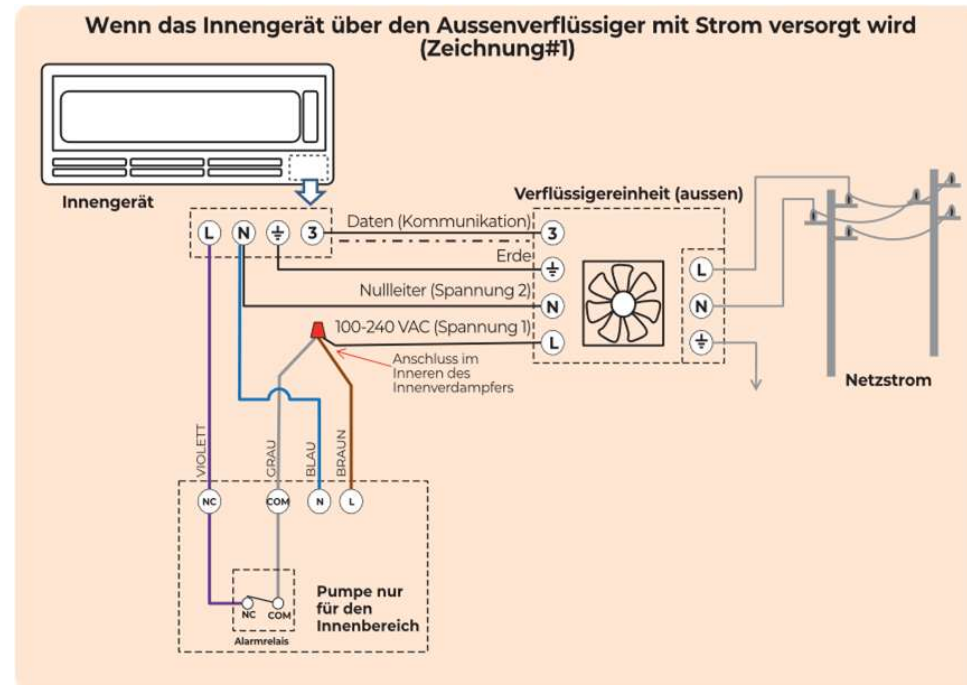
Optional können die grauen und violetten Litzen angeschlossen werden, um die Stromversorgung des Innengeräts zu schalten. Dies ermöglicht es der Pumpe, das Innengerät zu deaktivieren, wenn mehr Wasser erzeugt wird, als dass die Pumpe es bewältigen könnte.

8.10 Verbindung zwischen Installationskabel und Pumpe herstellen



8.11 Verdrahtung

Beispiele für Verdrahtung mit und ohne Verwendung des Alarmrelais sind unten dargestellt. Das Alarmrelais kann verwendet werden, um die Quelle des Kondenswassers zu deaktivieren, wenn die VAMP-F-Pumpe einen höheren Wasserstand als erwartet festgestellt hat.



8.12 Inbetriebnahme

Sobald die Installation abgeschlossen ist, stelle die Stromversorgung des Geräts wieder her. Du solltest ein regelmässiges Blinken der LED sehen, was den normalen Betrieb der Pumpe anzeigt.

Fülle mit einer Dosierflasche Wasser in die Kondensatwanne, das dann in den ausziehbaren Flexschlauch abfließt. Wenn genügend Wasser ins Reservoir gelangt ist, wird die Pumpe aktiviert und das Wasser abgepumpt.

Wenn du das Alarmrelais in deiner Installation verwendet hast, überprüfe es, in dem du so viel Wasser einfüllst, dass der Wasserstand mindestens fünf Sekunden lang über der Oberkante der Pumpe bleibt. Nach drei Sekunden des Pumpens wird das Alarmrelais aktiviert, wodurch die Stromzufuhr zu deinem Innengerät unterbrochen wird. Die Stromzufuhr zur Pumpe selbst wird dadurch nicht unterbrochen, sie läuft weiter, bis das Wasser aus dem Reservoir entleert ist. Dann schaltet das Alarmrelais die Stromversorgung des Innengeräts wieder ein.

Endkontrolle:

- LED blinkt grün
- Wasser auftragen: LED wechselt zu Dauergrün und dann zu rot
- Die Pumpe ist horizontal installiert
- Siphon-Stopp Vorrichtung ist installiert
- Lüftungsrohr ist installiert
- Kabelbinder für die Befestigung von Schlauch, Pumpe und Abflussschlauch

9.0 Wartung

Um eine optimale Leistung aufrechtzuerhalten, sollte deine VAMP-F im Rahmen des regelmässigen Wartungsplans deines Systems inspiziert und gereinigt werden. Mindestens jährliche Reinigung wird empfohlen.

9.1 Reinigung des Sensors

Entferne den ausziehbaren Flexschlauch von der Vorderseite der Pumpeneinheit. Überprüfe mit einer Taschenlampe oder einer anderen Lichtquelle den optischen Sensor an der Vorderseite der Pumpe. Wenn er verschmutzt ist oder sich z. B. Algen angesammelt haben, reinige den Sensor vorsichtig mit einem feuchten Tuch. Verwende für die Reinigung des optischen Sensors keine anderen Lösungsmittel als Wasser.

9.2 Auswechslung des Filters oder des Flexschlauchs

Der ausziehbare Flexschlauch ist mit einem integrierten Filter ausgestattet, der verhindert, dass Partikel deine Pumpe und Schläuche beschädigen oder verstopfen. Nimm den Filter bei Bedarf heraus, reinige ihn und den Flexschlauch mit Seifenwasser und setze ihn dann wieder ein.

Wenn der ausziehbare Flexschlauch beschädigt oder zu schmutzig ist, um ihn zu reinigen, kannst du ihn ersetzen, indem du ihn vom Kondensatwannenanschluss und der Pumpe abnimmst und dass das Ersatzteil einbaust.

9.3 Ersetzen der Pumpe

Überprüfe das Pumpengehäuse und die elektrischen Kabel auf Anzeichen von Beschädigungen. Wenn du eine Beschädigung feststellst, unterbreche die Stromzufuhr zum Innengerät und zur Pumpe, bevor du das beschädigte Teil austauschst.

10.0 Fehlerbehebung

Fehler	Korrekturmassnahmen
Keine LED-Lichter	Überprüfe die elektrische Versorgung der Pumpe. Wenn die elektrische Versorgung in Ordnung ist, muss die Pumpe ausgetauscht werden.
Pumpe läuft ständig, auch ohne Wasser	<p>Prüfe, ob das Pumpengehäuse flach, d. h. horizontal und nicht von hinten nach vorne oder von einer Seite zur anderen gekippt, ist.</p> <p>Prüfe den optischen Sensor auf Verunreinigungen und reinige ihn bei Bedarf, wie im Abschnitt «Wartung» in dieser Betriebsanleitung beschrieben.</p> <p>Prüfe den Auslassschlauch auf Verstopfungen oder Knicke. Ersetze den Schlauch bei Bedarf.</p>

11.0 Garantie

Deine neue, hochmoderne VAMP-F wurde nach den neuesten Erkenntnissen der Arbeitsphysiologie und Ergonomie entwickelt. Die REFCO Manufacturing Ltd. ist nach DIN EN ISO 9001:2008 zertifiziert. Ständige Qualitätskontrollen sowie ein sorgfältiger Fertigungsprozess garantieren eine zuverlässige Funktionalität und sind Grundlage für die REFCO-Garantie gemäss den am Tag der Lieferung gültigen Allgemeinen Verkaufs- und Lieferbedingungen. Ausgeschlossen von der Garantie sind Schäden, die durch offensichtliche Fehlbehandlung und Abnutzung entstanden sind.

12.0 Entsorgung

Die VAMP-F ist für den Langzeiteinsatz entwickelt worden. Bereits bei der Materialbeschaffung und der Produktion wurde auf Energieeinsparung und Umweltverträglichkeit geachtet. REFCO nimmt seine Verantwortung gegenüber der Umwelt wahr und ist deshalb nach DIN EN ISO 14001:2015 zertifiziert. Bei der Ausserbetriebnahme des Geräts muss der Anwender die örtlichen Entsorgungsvorschriften beachten. Das Gehäuse ist aus PA, die anderen Kunststoffteile sind aus PA und die Elektronik ist FR4. Die Verpackung besteht aus Karton.



13.0 Ersatzteile und Zubehör

Ersatzteile	Bezeichnung	Art. -Nr.
Ausziehbarer Flexschlauch mit Filter #4	POSABLE-HOSE/4	4689088
Siphon-Stopp Vorrichtung #4	HSG-4065/4	3004065
Installationskabel	CP-INSTALLATION-CABLE	4689089
Zubehör		
In-line Filter	IN-LINE FILTER	4678597
Sternschlauch (50' / 15 m)	STAR-TUBE-600	3004186
Sternschlauch und Siphon-Stopp Vorrichtung	KIT-4087	3004087

SOMMAIRE

1.0	Introduction	43
2.0	Généralités	43
3.0	Spécification	47
4.0	Description du produit et des pièces	48
5.0	Relais d'alarme tableau de fonctionnement	49
6.0	Affichage LED	49
7.0	Transport, emballage et chargement	50
8.0	Installation	50
9.0	Entretien	59
10.0	Correction des erreurs	60
11.0	Garantie	60
12.0	Élimination	61
13.0	Pièces de rechange et accessoires	61


1.0 Introduction

Nous vous remercions d'avoir acheté cet appareil. Le manuel actuel peut être téléchargé sur www.refco.ch.

2.0 Généralités

Avant de travailler avec la VAMP-F, veuillez d'abord lire attentivement le manuel d'utilisation. Il contient des informations importantes pour le bon fonctionnement, l'entretien et l'élimination de la pompe.

Conformité

	Cet appareil est conforme aux directives européennes pertinentes. La déclaration de conformité est disponible aux coordonnées indiquées ou sur le site web de REFCO.
	Il est donc également conforme aux réglementations britanniques pertinentes.
	RCM: signe de conformité réglementaire Cet appareil est conforme aux exigences de la réglementation RCM.
	RoHS: restriction des substances dangereuses Cet appareil est conforme aux exigences de la directive européenne RoHS. RoHS 2011/65/EU y compris 2015/863/EU Cet appareil ne contient aucune substance interdite dépassant les valeurs maximales autorisées.
	Conformément à l'article 33 du règlement REACH 1907/2006, nous confirmons que cet appareil et son emballage sont conformes à l'article 57 du règlement REACH 1907/2006.

Cet appareil et son emballage ne contiennent aucune des substances extrêmement préoccupantes figurant dans la liste candidate actuelle (article 59) à des concentrations supérieures à 0,1%.

Consignes de sécurité importantes



Veillez lire et suivre attentivement toutes les consignes de sécurité et les instructions d'installation et les lire intégralement avant de travailler.

Explication des symboles

Avertissement



Indique une situation potentiellement dangereuse qui, si elle n'est pas évitée, peut entraîner des blessures graves.

Danger



Indique une situation danger électrique. Le non-respect des consignes de sécurité peut entraîner des blessures graves, voire mortelles.



Doublement isolé: en cas d'entretien, utiliser seulement des pièces de rechange.

Instructions de sécurité

Imprimer les instructions de sécurité en Letter A/DIN A4.



Respectez les consignes de sécurité locales et les réglementations électriques régionales en vigueur dans la zone où la pompe à condensat est utilisée.



Installation uniquement par du personnel formé à cet effet et disposant d'une formation technique et d'outils suffisant.

Cet appareil n'est pas destiné à être utilisé par des personnes (y compris des enfants de moins de 8 ans) dont les capacités physiques, sensorielles ou mentales sont réduites ou qui manquent d'expérience et de connaissances, à moins qu'elles ne soient surveillées par une personne responsable de leur sécurité ou qu'elles aient reçu de celle-ci des instructions sur la manière d'utiliser l'appareil.



Les enfants doivent être surveillés afin de s'assurer qu'ils ne jouent pas avec l'appareil.

Pour une utilisation à l'intérieur seulement. Pour le marquage des appareils électriques principalement destinés à être utilisés à l'intérieur.



Débranchez l'alimentation électrique avant de procéder à l'installation, à l'entretien ou au service.



N'installez pas la pompe de REFCO si elle présente des signes d'endommagement.



Le câble d'installation doit être vérifié avant l'installation, puis à intervalles réguliers, afin de détecter tout signe de dommage. Si un câble est endommagé, il doit être remplacé par la bonne pièce, fournie soit par REFCO, soit par une entreprise de service après-vente agréée.



Les câbles de la pompe à condensat ne doivent pas être coupés et ils doivent être posés de manière à ne pas être endommagés pendant ou après l'installation.



Tous les raccords de tuyaux doivent être fixés aux tubulures à l'aide de colliers de serrage autobloquants ou d'un collier.



Veillez à ce qu'aucun produit chimique n'entre en contact avec la pompe à condensat. Veuillez retirer la pompe et la sonde à eau avant d'utiliser des solutions de nettoyage ou d'autres produits chimiques. Rincez les serpentins d'évaporation à l'eau avant de réinstaller la pompe à condensat et la sonde à eau. Assurez-vous que les serpentins d'évaporation sont libres de produits chimiques avant vous réinstallez la pompe de REFCO.



Le câble d'installation ne doit pas être soumis à une traction. Le câble d'installation doit être entièrement inséré dans la prise. Utilisez seulement le câble d'installation d'origine.



N'installez pas d'éléments à proximité ayant un impact thermique important sur la pompe.



L'alimentation électrique de la pompe doit être limitée à un courant inférieur à 7A.



L'unité intérieure câblée par les câbles d'alarme violets et gris ne doit pas tirer plus de 5A.



La pompe ne doit pas être exposée au soleil.

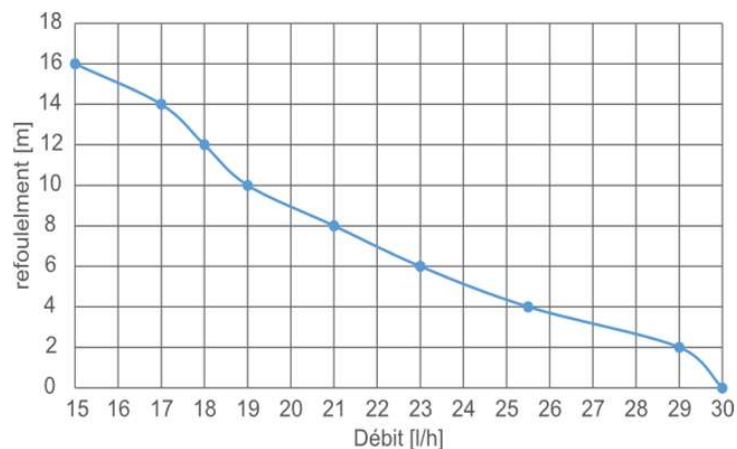
Utilisation conforme

La pompe à condensat VAMP-F est destinée à l'élimination de l'eau de condensation et doit être entièrement installée dans le boîtier d'une pompe à chaleur électrique, d'un déshumidificateur et d'une unité intérieure de climatisation. Cela inclut les unités à cassette, les convecteurs sous plancher et les convecteurs muraux. Pour une utilisation à l'intérieur uniquement. Non submersible.

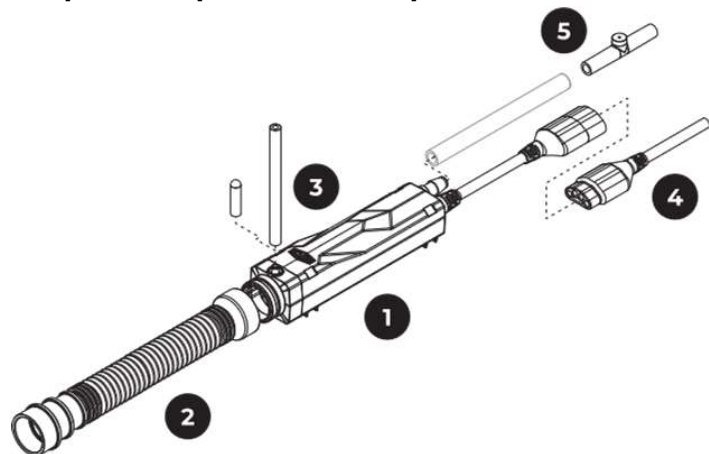
3.0 Spécification

Débit maximal	22 l/h (6 GPH)
Capacité de refroidissement max.	18.5 kW (63'000 BTU/h)
Hauteur d'aspiration max.	2 m (6.6 ft)*
Hauteur de refoulement max.	15 m (50 ft)
Course horizontale de refoulement max.	75 m (250 ft) à une hauteur de refoulement de 0 m et une hauteur d'aspiration de 0 m
Notations électriques	100-240 VAC, 50-60 Hz, 6 W
Niveau de relais d'alarme	Niveau de relais d'alarme normalement fermé (NC), à sécurité intégrée 5 A 250 VAC, 5 A 30 VDC
Protection thermique	Capteur commandé par logiciel
Type de protection	II
Protection contre les intrusions	Entièrement scellé IP67 Connecteur de câble IP44
Plage de température de service	3 °C – 40 °C (37 °F – 104 °F)
Plage de température de l'eau	5 °C – 40 °C (37 °F – 104 °F)
Plage de température de stockage	-20 °C – 70 °C (-4 °F – 158 °F)
Niveau sonore	<20 dB(A) à une distance de 1 m (3 ft)
Tube de refoulement (pas inclus)	¼" ou 6 mm
Dimensions	30 × 26 × 128 mm (1.2 × 1.0 × 5.0")
Poids	140 g (4.9 oz)
Couleur	Noir (RAL 9001)
Conformité	CE

* pas de hauteur d'aspiration applicable pour VAMP-F.



4.0 Description du produit et des pièces



- 1 VAMP-F pompe
- 2 Tuyau flexible et extensible avec filtre
- 3 Tuyau de ventilation
- 4 Câble d'installation
- 5 Vanne anti-siphon

5.0 Relais d'alarme tableau de fonctionnement

État de la pompe	Niveau de condensation	Opération par défaut
Pas alimentée	N/A	NC ○ ○ COM
Alimentée	Niveau d'alarme inférieur	NC ○ ○ COM
Alimentée	Alarme activée	NC ○ ○ COM

■ rouge ■ vert

6.0 Affichage LED

État	Séquence de LED	Raison
Pas alimentée		Male connectée, non connectée ou aucune tension d'entrée
Séquence de démarrage		Pompe démarre
Mode veille attendre d'eau		Pas d'eau à pomper
Pompage de l'eau		Pompe tourne
Mode niveau d'eau élevé		Augmentation de la vitesse de la pompe
Mode d'alarme - relais activé		Niveau d'eau élevé, alarme activée
Température élevée		Température élevée détectée
État invalide		Capteur doit être nettoyé

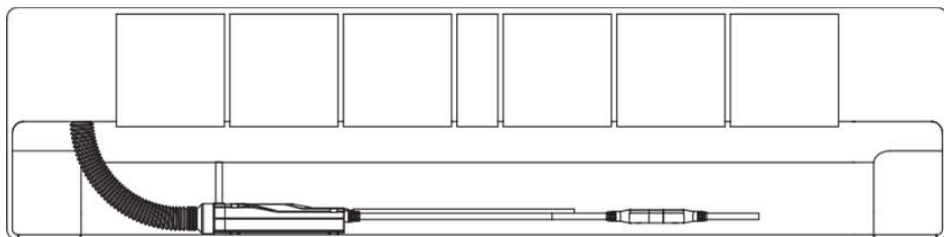
7.0 Transport, emballage et chargement

Le VAMP-F est livré dans un carton pour protéger les pièces. Le carton protège contre les chocs pendant le transport et la manipulation. Utilisez toujours le carton pour protéger le VAMP-F et les accessoires et fixez-le sur le plateau de chargement pendant le transport. Les températures de stockage (section 3) doivent être respectées et l'emballage doit être fermé. Ne pas l'exposer directement au soleil ou à des températures élevées, par exemple dans des véhicules de service.

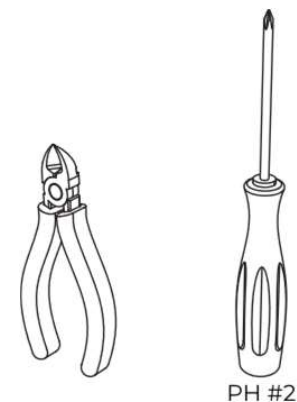
8.0 Installation

8.1 Application

La VAMP-F est conçu pour être utilisé dans une unité intérieure d'un système de climatisation. Elle sert à évacuer l'eau de condensation du bac de récupération de l'unité intérieure lorsque le tube de refoulement de l'appareil ne suffit pas.

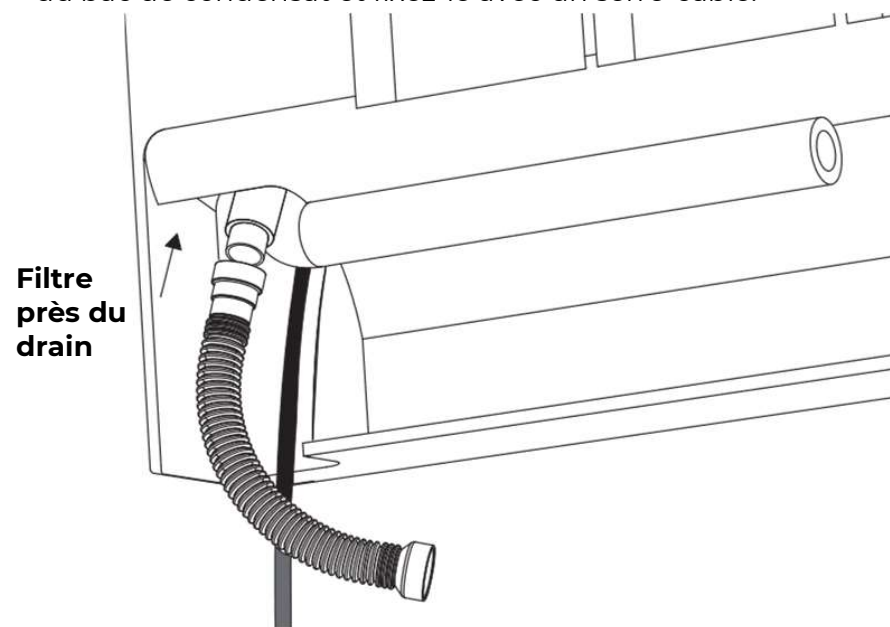


8.2 Outils nécessaires



8.3 Installer le tuyau flexible et extensible

Séparez le tuyau de condensation existant du raccord du bac de condensat. Faites glisser le tuyau flexible et extensible sur le raccord du bac de condensat et fixez-le avec un serre-câble.

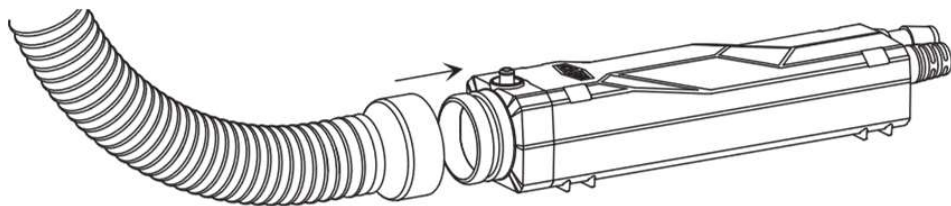


8.4 Raccordement de la pompe au tuyau flexible et extensible. Placez la pompe à un endroit approprié dans le puits de conduite de l'unité intérieure, de sorte que l'arrivée d'eau de la pompe puisse être raccordée au tuyau flexible et extensible.

Glissez l'extrémité libre du tuyau flexible et extensible sur l'arrivée d'eau de la pompe et fixez-la avec un serre-câble.

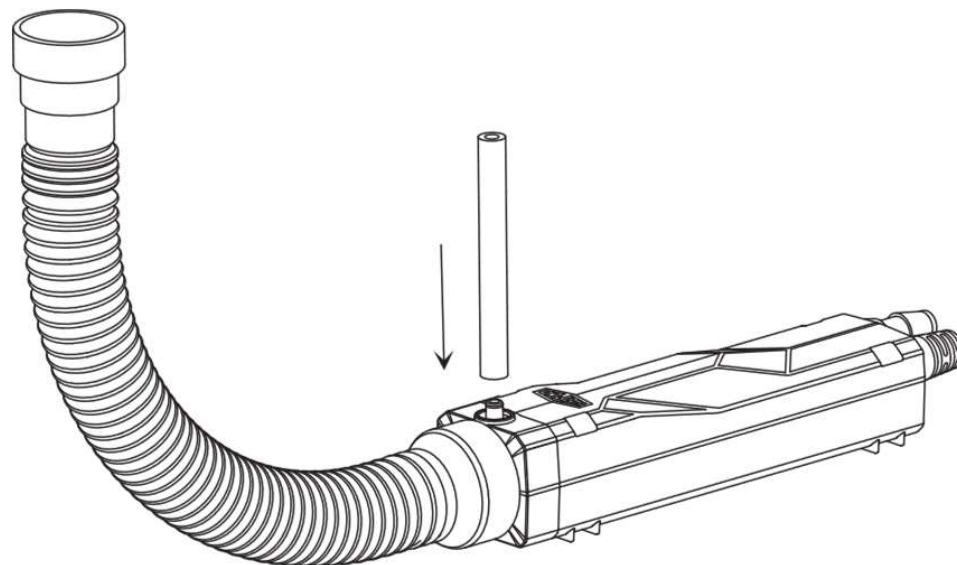
Assurez-vous que la pompe est en position horizontale, de sorte que le raccord du tuyau d'évent soit dirigé vers le haut, afin de garantir un fonctionnement correct de la pompe.

L'installation horizontale de la pompe est essentielle pour son fonctionnement.



8.5 Tuyau d'évent

Glissez le tuyau d'évent fourni sur le raccord, comme illustré ci-dessous. Veillez à ce que l'extrémité supérieure du tuyau soit plus haute que l'eau dans le tuyau flexible et extensible et dans le bac à condensat. Si nécessaire, sécurisez le tuyau d'évent pour vous assurer qu'il ne bouge pas lorsque le produit est en cours d'utilisation. Il n'est pas recommandé de faire fonctionner la pompe sans tube d'évent.

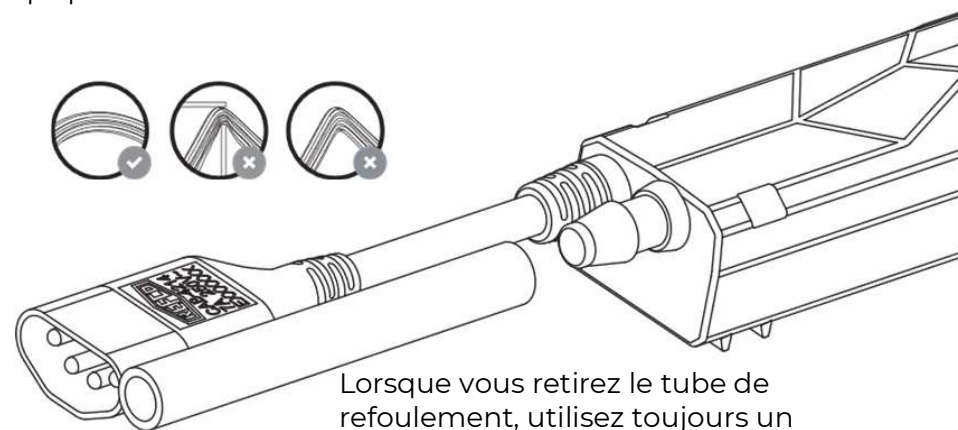


8.6 Localiser la pompe (à plat)

L'installation horizontale de la pompe est essentielle pour son fonctionnement. Fixer la pompe à l'aide de deux colliers de serrage sur une surface plane.

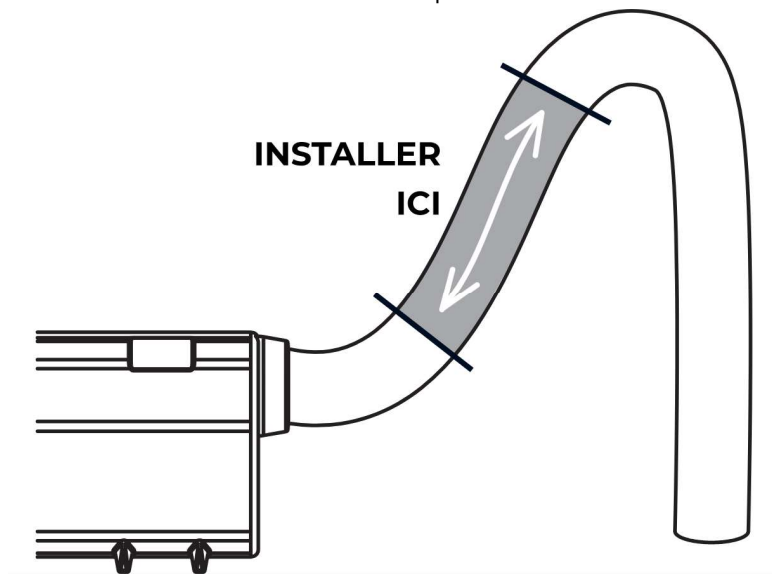
8.7 Raccorder le tube de refoulement

Raccordez le tube de refoulement 1/4" / 6 mm au raccord de sortie. Veillez à ce que le tube de refoulement ne présente pas de coudes qui pourraient entraver l'écoulement de l'eau.



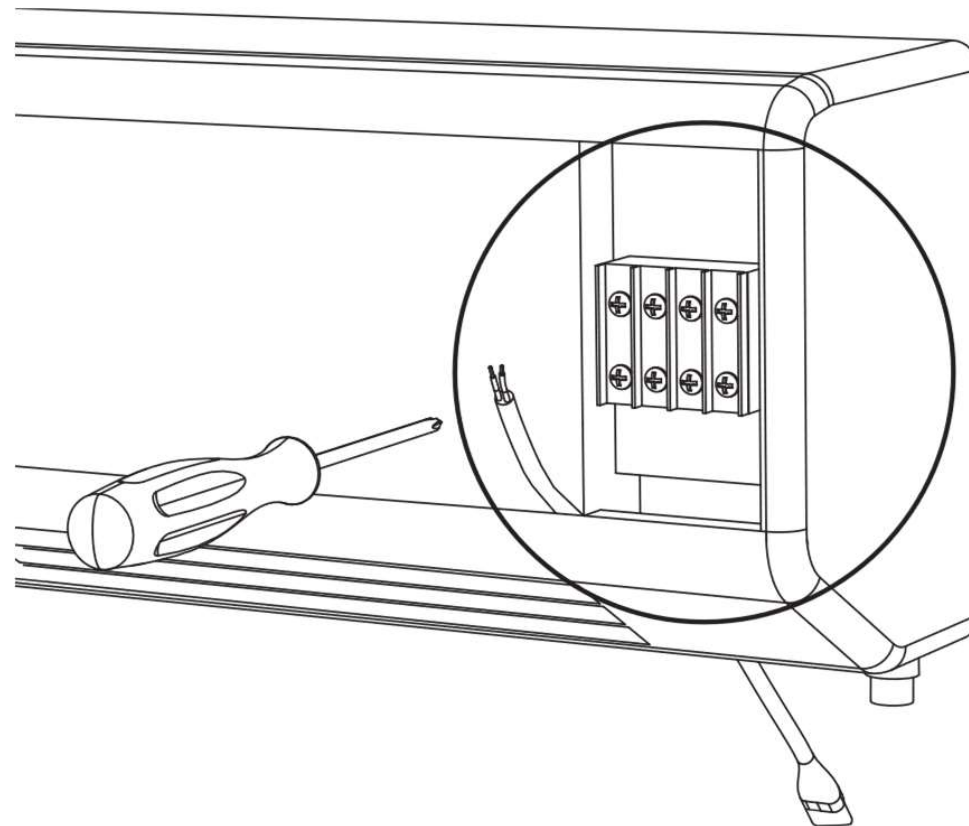
Lorsque vous retirez le tube de refoulement, utilisez toujours un couteau pour couper le tube. Une force trop grande peut détruire la pompe.

8.8 Installez la vanne anti-siphon dans votre tube de refoulement.



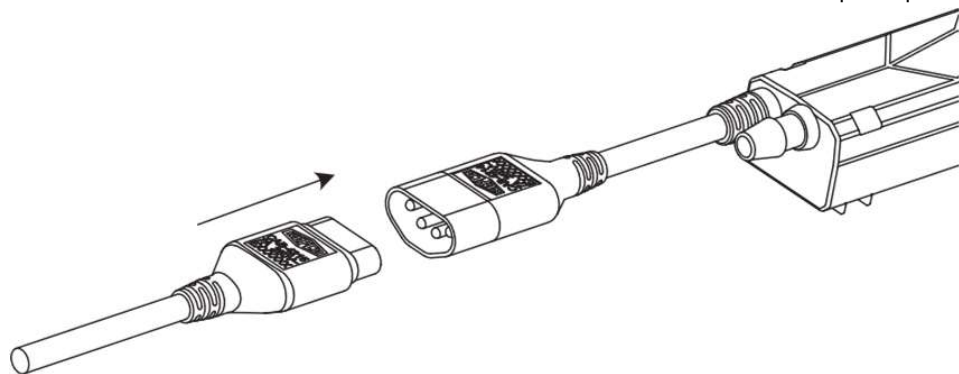
8.9 Installer le câble d'installation

Le câble d'installation doit être raccordé à la borne d'alimentation de l'unité intérieure.



En option, les fils gris et violet peuvent être connectés pour couper l'alimentation de l'unité intérieure. Cela permet à la pompe de désactiver l'unité si trop d'eau est produite pour que la pompe puisse la gérer.

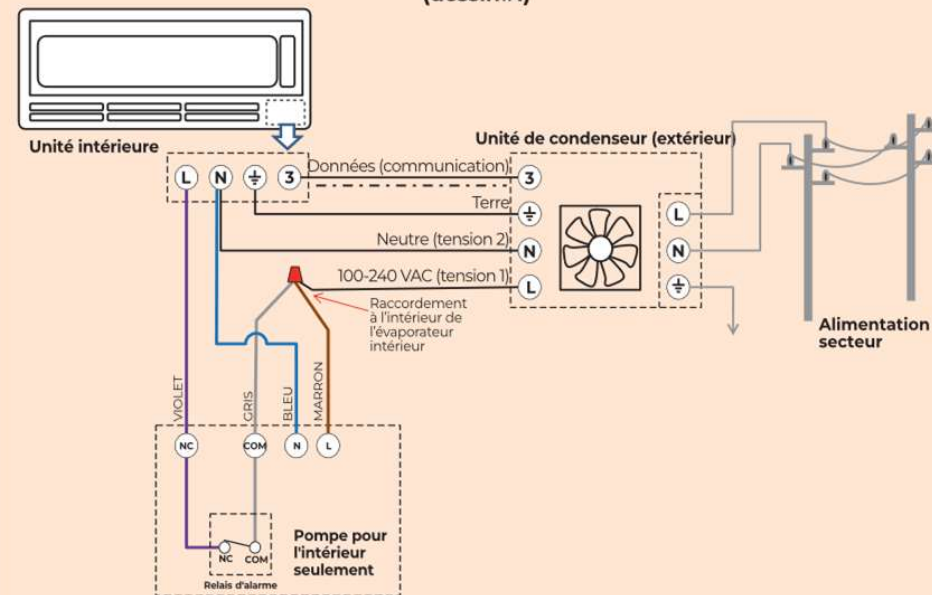
8.10 Établir la connexion entre le câble d'installation et la pompe



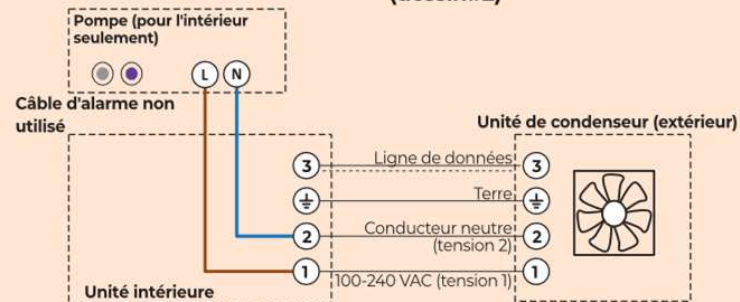
8.11 Câblage

Des exemples de câblage avec et sans utilisation de relais d'alarme sont présentés ci-dessous. Le relais d'alarme peut être utilisé pour désactiver la source d'eau de condensation lorsque la pompe VAMP-F a détecté un niveau d'eau plus élevé que prévu.

Si l'unité intérieure est alimentée par l'unité de condenseur extérieur (dessin#1)



Courant seulement sans circuit d'alarme (dessin#2)



8.12 Mise en service

Une fois l'installation est terminée, rétablissez l'alimentation électrique de l'appareil. Vous devriez voir la LED clignoter régulièrement ce qui indique que la pompe fonctionne normalement.

À l'aide d'une bouteille de distribution, remplissez le bac à condensat d'eau, qui s'écoulera ensuite dans le tuyau flexible et extensible. Lorsque suffisamment d'eau est arrivée dans le réservoir de la pompe, celle-ci est activée et l'eau est pompée.

Si vous avez utilisé le relais d'alarme dans votre installation, vérifiez-le en versant suffisamment d'eau pour que le niveau d'eau reste au-dessus du bord supérieur de la pompe pendant au moins cinq seconds. Après trois secondes de pompage, le relais d'alarme est activé, ce qui coupe l'alimentation électrique de votre unité intérieure. L'alimentation électrique de la pompe elle-même n'est pas interrompue pour autant. Il continuera à fonctionner jusqu'à ce que l'eau ait été vidée du réservoir, le relais d'alarme rétablit l'alimentation de l'unité intérieure.

Contrôle final:

- LED clignote vert
- Appliquer de l'eau: la LED passe au vert fixe puis au rouge
- La pompe est installée horizontalement
- La vanne anti-siphon est installée
- Le tuyau d'évent est installé
- Les colliers de serrage pour la fixation du tuyau, de la pompe et du tube de refoulement

9.0 Entretien

Pour maintenir des performances optimales, votre pompe VAMP-F doit être inspectée et nettoyée dans le cadre du programme d'entretien régulier de votre système. Un nettoyage au moins annuel est recommandé.

9.1 Nettoyage du capteur

Enlevez le tuyau flexible et extensible de la face avant de l'unité de la pompe. Vérifiez avec une lampe de poche ou une autre source de lumière le capteur optique situé à la face avant de la pompe. S'il est encrassé ou si des algues se sont par exemple accumulées, nettoyez le capteur avec précaution à l'aide d'un chiffon humide. N'utilisez pas de solvants autres que l'eau pour nettoyer le capteur optique.

9.2 Remplacement du filtre ou du tuyau flexible

Le tuyau flexible et extensible est équipé d'un filtre intégré qui empêche les particules d'endommager ou d'obstruer votre pompe et vos tuyaux. Si nécessaire, retirez le filtre, nettoyez le filtre et le tuyau flexible dans de l'eau savonneuse, puis remettez-le en place.

Si le tuyau flexible et extensible est endommagé ou trop sale pour être nettoyé, vous pouvez le remplacer en le détachant du raccord du bac de condensat et de la pompe et en installant la pièce de rechange.

9.3 Remplacer de la pompe

Vérifiez que le corps de la pompe et les câbles électriques ne présentent pas de signes de détérioration. Si vous constatez un dommage, coupez l'alimentation électrique de l'unité intérieure et de la pompe avant de remplacer la pièce endommagée.

10.0 Correction des erreurs

Erreur	Mesures de correction
Pas de lumières LED	Vérifiez l'alimentation électrique de la pompe. Si l'alimentation électrique est en ordre, la pompe doit être remplacée.
La pompe marche toujours même sans eau	<p>Vérifiez que le corps de pompe est bien plat, c'est-à-dire horizontal et non pas incliné d'arrière en avant ou d'un côté à l'autre.</p> <p>Vérifiez que le capteur optique n'est pas encrassé et nettoyez-le si nécessaire, comme décrit dans la section « Entretien » de ce manuel.</p> <p>Vérifiez que le tuyau de refoulement n'est pas bouché ou plié. Remplacez le tuyau si nécessaire.</p>

11.0 Garantie

Votre nouveau VAMP-F moderne a été conçu selon les dernières connaissances en matière de physiologie du travail et d'ergonomie. REFCO Manufacturing Ltd. est certifiée DIN EN ISO 9001:2008. Des contrôles de qualité permanents ainsi qu'un processus de fabrication minutieux garantissent une fonctionnalité fiable et constituent la base de la garantie REFCO conformément aux conditions générales de vente et de livraison en vigueur le jour de la livraison. Sont exclus de la garantie les dommages résultant d'une mauvaise manipulation et d'une usure manifeste.

12.0 Élimination

Le VAMP-F a été développé pour une utilisation à long terme. Dès l'achat des matériaux et la production, l'économie d'énergie et le respect de l'environnement ont été pris en compte. REFCO assume sa responsabilité vis-à-vis de l'environnement et est donc certifié selon la norme DIN EN ISO 1400:2015. Lorsque l'appareil est mis hors service, l'utilisateur doit respecter les prescriptions locales en matière d'élimination des déchets. Le boîtier est en PA, les autres pièces en plastique sont en PA et l'électronique est en FR4. L'emballage est en carton.



13.0 Pièces de rechange et accessoires

Pièces de rechange	Désignation	Art. -No.
Tuyau flexible et extensible avec filtre #4	POSABLE-HOSE/4	4689088
Vanne anti-siphon #4	HSG-4065/4	3004065
Câble d'installation	CP-INSTALLATION-CABLE	4689089

Accessoires		
In-line filtre	IN-LINE FILTER	4678597
Tuyau de l'étoile (50' / 15 m)	STAR-TUBE-600	3004186
Tuyau de l'étoile et vanne anti-siphon	KIT-4087	3004087

CONTENUTI

1.0	Introduzione	63
2.0	Informazioni Generali	63
3.0	Specifiche Tecniche	68
4.0	Descrizione del prodotto e delle parti	69
5.0	Tabella di funzionamento del relè dell'allarme	70
6.0	Indicazioni LED	71
7.0	Trasporto, confezione e stoccaggio	72
8.0	Installazione	72
9.0	Manutenzione	81
10.0	Risoluzione dei problemi	82
11.0	Garanzia	82
12.0	Smaltimento dei resti	83
13.0	Pezzi di ricambio e accessori	83

1.0 Introduzione

Congratulazioni per l'acquisto di questo dispositivo. L'istruzioni d'uso sono disponibili sul nostro sito www.refco.ch.

2.0 Informazioni Generali

Prima di iniziare a utilizzare la VAMP-F, leggi attentamente le presenti istruzioni. Contengono informazioni importanti per la correttezza dell'utilizzo, della manutenzione e dello smaltimento della pompa per condensa.

Conformità

	Il presente dispositivo soddisfa i criteri di conformità alle normative europee di pertinenza. La dichiarazione di conformità è consultabile al recapito indicato o sul sito Internet di REFCO.
	Pertanto, è anche conforme alle normative britanniche in materia.
	RCM: Marchio di conformità normativa Il presente dispositivo è conforme ai requisiti delle normative RCM
	RoHS: Restrizione delle Sostanze Pericolose Il presente dispositivo soddisfa le disposizioni della direttiva RoHS dell'UE. La direttiva RoHS 2011/65/UE include la 2015/863/UE. Il dispositivo non contiene sostanze proibite al di sopra del valore limite.
	Ai sensi dell'articolo 33 del regolamento REACH 1907/2006 si dichiara che il

presente dispositivo e l'imballaggio sono conformi all'articolo 57 del regolamento REACH 1907/2006. Il presente dispositivo e l'imballaggio non contengono sostanze estremamente preoccupanti (SVHC) specificate nell'attuale elenco delle sostanze candidate (articolo 59), in concentrazione superiore allo 0,1%.

Indicazioni importanti di sicurezza



Si prega di leggere e di seguire attentamente tutte le istruzioni di sicurezza e d'installazione e di leggerle completamente prima del lavoro.

Spiegazione dei simboli



Avvertenza

Indica una situazione potenzialmente pericolosa che, se non evitata, può provocare gravi lesioni personali.

Pericolo



Contrassegna il pericolo derivante da una corrente elettrica. L'inosservanza delle indicazioni di sicurezza comporta il pericolo di lesioni personali gravi o fatali.



Doppio isolamento: In caso di manutenzione, utilizzare solo parti di ricambio identiche.

Indicazioni di sicurezza

Stampa le indicazioni di sicurezza in Letter A/DIN A4.



Seguire le norme di sicurezza locali e i codici elettrici regionali applicabili all'area in cui viene utilizzata la pompa per condensa.



L'installazione deve essere effettuata solo da personale adeguatamente addestrato, con una formazione tecnica e strumenti sufficienti.

Questo apparecchio non è destinato ad essere utilizzato da persone (compresi bambini di età inferiore a 8 anni) con ridotte capacità fisiche, sensoriali o mentali, o con mancanza d'esperienza e conoscenza, a meno che non abbiano ricevuto supervisione o istruzioni sull'uso dell'apparecchio da parte di una persona responsabile della loro sicurezza.



I bambini devono essere sorvegliati per evitare che giochino con l'apparecchio.



Solo per uso interno. Questa apparecchiatura elettrica è destinata principalmente all'uso interno.



Scollegare l'alimentazione elettrica prima di iniziare i lavori di installazione, manutenzione o assistenza.



Non installare la pompa per condensa REFCO in presenza di segni di danneggiamento.



Il cavo d'installazione deve essere controllato prima dell'installazione e in seguito periodicamente per individuare eventuali segni di danneggiamento. Se un cavo è danneggiato, deve essere sostituito con il pezzo corretto fornito da REFCO o da un'azienda di assistenza clienti autorizzata.



I cavi della pompa di condensa non devono essere tagliati e devono essere posati in modo da non essere danneggiati durante e dopo l'installazione.



Tutti gli attacchi dei tubi devono essere fissati sui giunti utilizzando delle fascette stringi cavo autobloccanti o dei morsetti.



Evitare che i prodotti chimici entrino in contatto con la pompa di condensa. Prima di utilizzare soluzioni detergenti e altre sostanze chimiche per la bobina, togliere la pompa e il sensore del livello dell'acqua. Sciacquare le bobine dell'evaporatore con acqua prima di reinstallare la pompa e il sensore del livello dell'acqua. Assicurarsi che le bobine siano prive di sostanze chimiche prima di reinstallare.



Il cavo d'installazione non deve essere sottoposto a un carico di tensione.

Il cavo d'installazione deve essere inserito completamente nella presa.

Utilizzare solo il cavo d'installazione originale.



Non installare nelle vicinanze oggetti con un impatto termico significativo sulla pompa.



L'alimentazione della pompa deve essere limitata a meno di 7A.

L'unità interna cablata con i fili d'allarme viola e grigio non deve assorbire più di 5A.



La pompa non deve essere esposta al sole.

Uso conforme

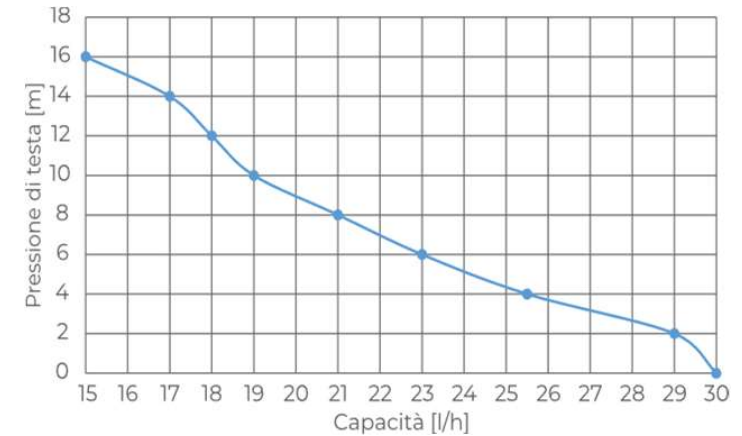
La pompa per condensa VAMP-F è destinata all'uso come unità di rimozione della condensa e deve essere installata completamente all'interno degli involucri di pompe di calore elettriche, condizionatori, unità interne e deumidificatori. Ciò include cassette a soffitto, convettori a pavimento e convettori a parete.

È solo per uso interno e non è sommersibile.

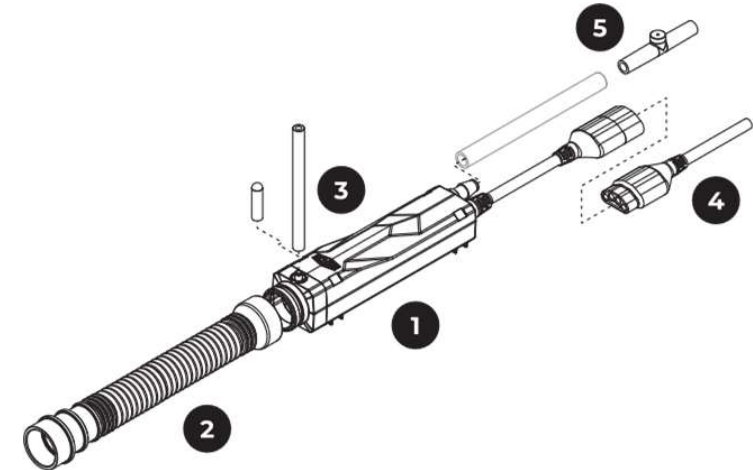
3.0 Specifiche Tecniche

Portata massima	22 l/h (6 GPH)
Capacità di raffreddamento massima	18.5 kW (63'000 BTU/h)
Aspirazione massima	2 m (6.6 ft)*
Prevalenza massima	15 m (50 ft)
Corsa orizzontale massima	75 m (250 ft) a prevalenza 0 m e aspirazione 0 m
Valori elettrici	100-240 VAC, 50-60 Hz, 6 W
Relè di allarme	Normalmente chiuso (NC), tipo failsafe 5 A 250 VAC, 5 A 30 VDC
Protezione dalla temperatura	Sensore controllato da software
Classe di protezione	II
Protezione dall'ingresso	Completamente sigillata IP67 Connettore per cavo IP44
Temperatura di funzionamento	3 °C – 40 °C (37 °F – 104 °F)
Temperatura di acqua	5 °C – 40 °C (37 °F – 104 °F)
Temperatura di stoccaggio	-20 °C – 70 °C (-4 °F – 158 °F)
Rumorosità	<20 dB(A) a 1 m (3 ft) di distanza
Tubo di drenaggio (non incluso)	¼" o 6 mm
Dimensioni	30 × 26 × 128 mm (1.2 × 1.0 × 5.0")
Peso	140 g (4.9 oz)
Colore	Nero (RAL 9001)
Conformità	CE

* nessun sollevamento di aspirazione applicabile per VAMP-F.



4.0 Descrizione del prodotto e delle parti











- 1** VAMP-F pompa
- 2** Tubo flessibile estensibile con filtro
- 3** Tubo di ventilazione
- 4** Cavo di installazione
- 5** Valvola anti-sifone

5.0 Tabella di funzionamento del relè dell'allarme

Stato della pompa	Livello di condensa	Modalità predefinita
Non alimentato	N/A	NC ○ COM
Alimentato	Sotto il livello di allarme	NC ○ COM
Alimentato	Allarme attivato	NC ○ COM

6.0 Indicazioni LED

■ rosso ■ verde

Stato	Schema LED	Motivo
Nessuna alimentazione		Cablaggio errato, scollegato o senza tensione
LED di avvio		La pompa si sta avviando
Inattivo		Nessuna acqua da pompare
Acqua di pompaggio		La pompa è in funzione
Alta modalità di livello dell'acqua		Velocità della pompa aumentata
Modalità allarme – relè attivato		Livello dell'acqua alto, allarme attivato
Temperatura elevata		Temperatura elevata rilevata
Stato invalido		Il sensore deve essere pulito

7.0 Trasporto, confezione e stoccaggio

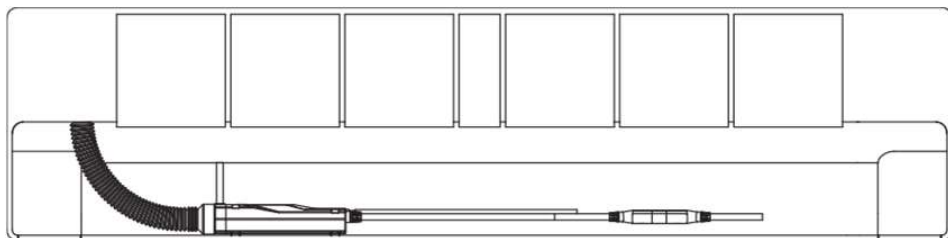
La VAMP-F viene fornita in una scatola di cartone per proteggere le parti. La scatola di cartone protegge dalle vibrazioni durante il trasporto e il maneggio. Utilizzare sempre la scatola di cartone per proteggere la VAMP-F e gli accessori e fissarla sulla superficie di carico durante il trasporto.

Le temperature di stoccaggio (Sezione 3) devono essere rispettate e l'imballaggio deve essere chiuso. Non esporre al sole diretto e alle alte temperature, ad esempio all'interno dei veicoli di servizio.

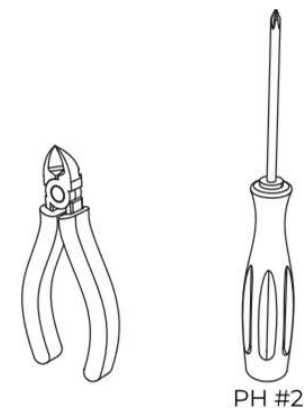
8.0 Installazione

8.1 Applicazione

La REFCO VAMP-F è destinata all'uso all'interno di un'unità interna di condizionamento dell'aria. Il suo scopo è quello di rimuovere l'acqua di condensa dalla vaschetta di condensa dell'unità interna nei casi in cui il tubo di drenaggio dell'unità non sia sufficiente.



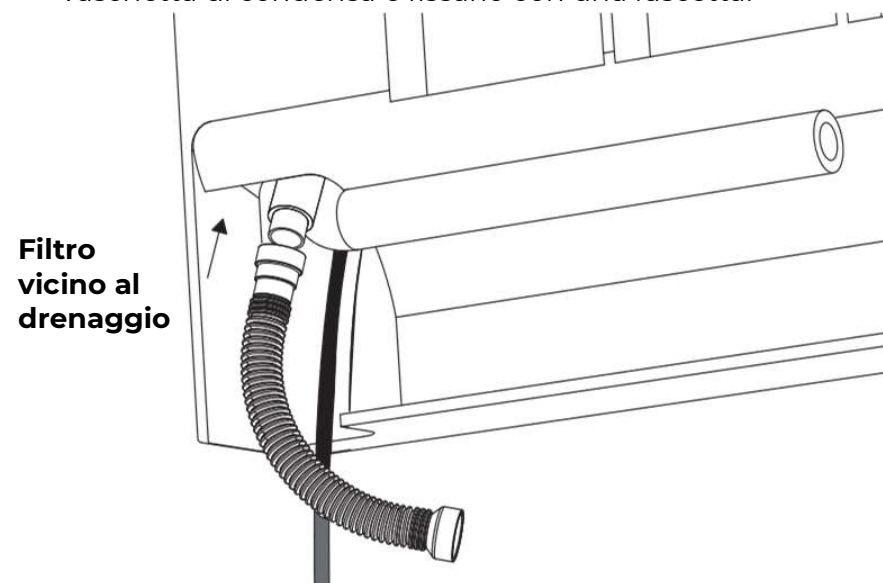
8.2 Strumenti necessari



8.3 Installare il tubo flessibile estensibile

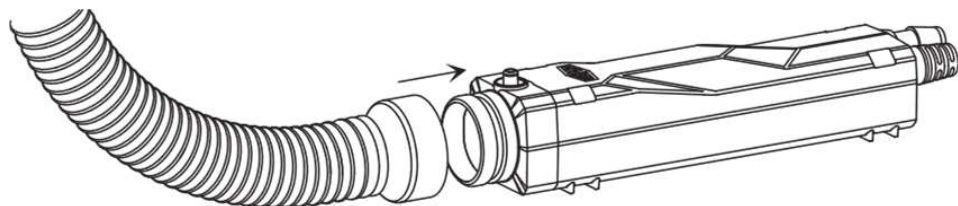
Scollegare il tubo di drenaggio presente dall'uscita dell'attacco della vaschetta di condensa.

Spingere il tubo flessibile estensibile sull'uscita della attacco della vaschetta di condensa e fissarlo con una fascetta.



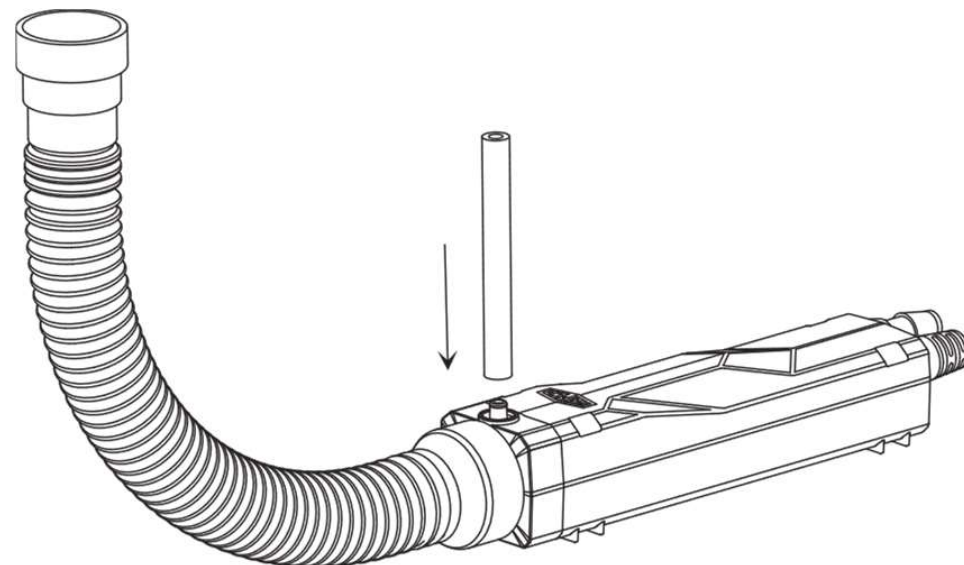
Filtro vicino al drenaggio

8.4 Collegare la pompa al tubo flessibile estensibile
Collocare la pompa in una posizione adeguata all'interno della condotta dell'unità interna, in modo da poter collegare l'ingresso dell'acqua della pompa al tubo flessibile estensibile.
Spingere l'estremità libera del tubo flessibile estensibile sull'ingresso dell'acqua della pompa e fissarlo con una fascetta.
Per garantire il corretto funzionamento della pompa, è necessario assicurarsi che la pompa sia in posizione verticale, in modo che il connettore del tubo di ventilazione sia rivolto verso l'alto.



8.5 Tubo di ventilazione

Spingere il tubo di ventilazione sul connettore, come illustrato sotto. Assicurarsi che la parte superiore del tubo sia più alta dell'acqua contenuta nel tubo flessibile estensibile e nella vaschetta di condensa. Se necessario, fissare il tubo di ventilazione per garantire che non si muova quando il prodotto è in uso. Il funzionamento della pompa senza il tubo di ventilazione installato non è raccomandato.

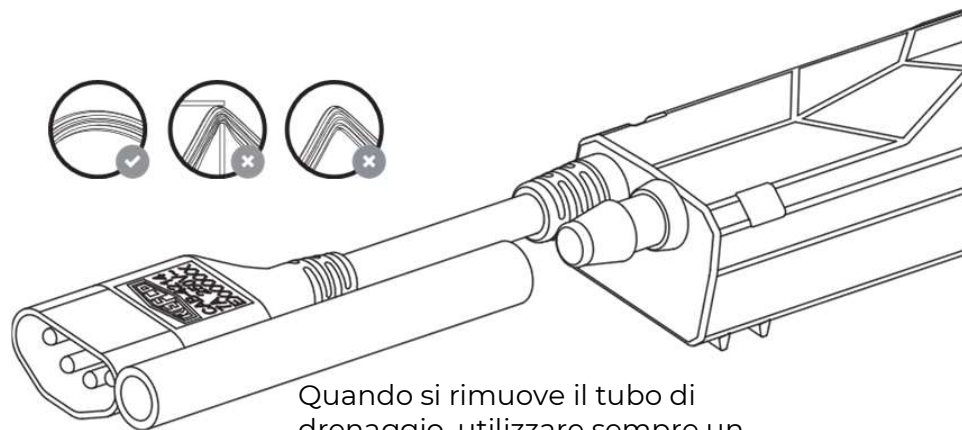


8.6 Posizionare la pompa (piano)

L'installazione orizzontale della pompa è essenziale per il funzionamento. Montare la pompa con due fascette sulla superficie piana.

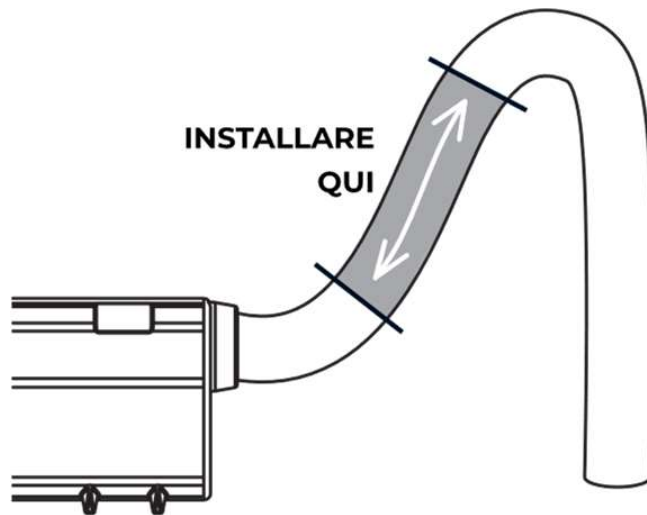
8.7 Collegare il tubo di drenaggio

Collegare il tubo di drenaggio da ¼" / 6 mm al connettore di scarico. Assicurarsi che il tubo di drenaggio non presenti pieghe lungo la sua lunghezza che impediscano all'acqua di scorrere.



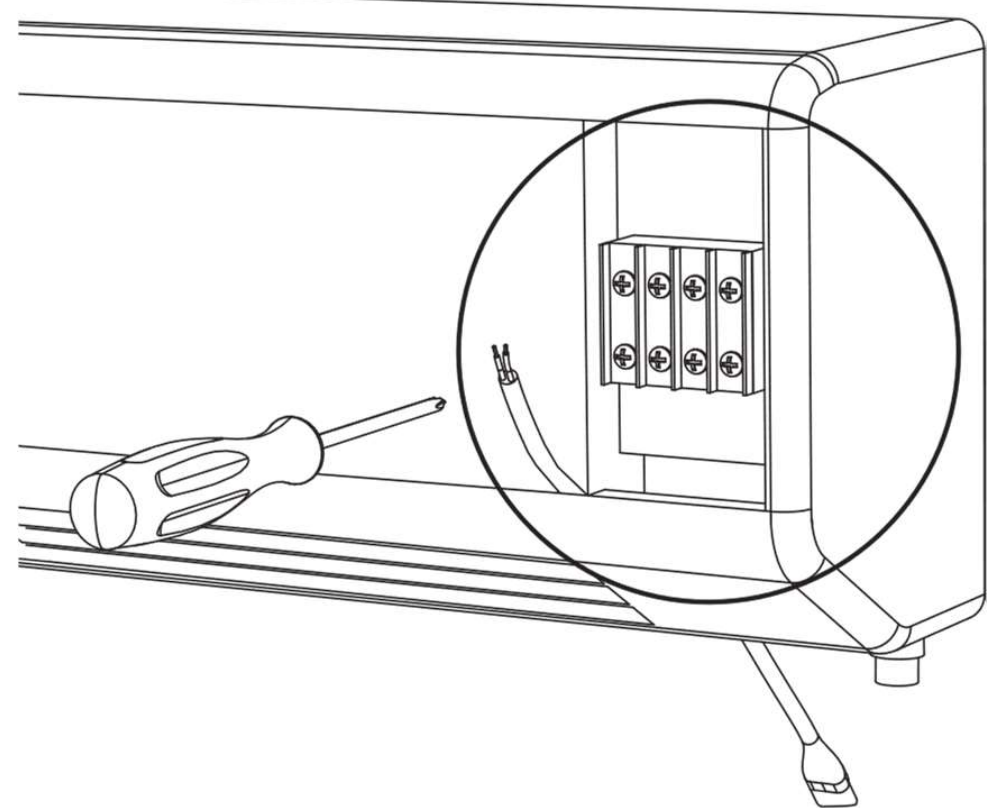
Quando si rimuove il tubo di drenaggio, utilizzare sempre un coltello per tagliare il tubo. Una forza eccessiva sulla pompa può causare danni.

8.8 Installare la valvola anti-sifone nel tubo di drenaggio.



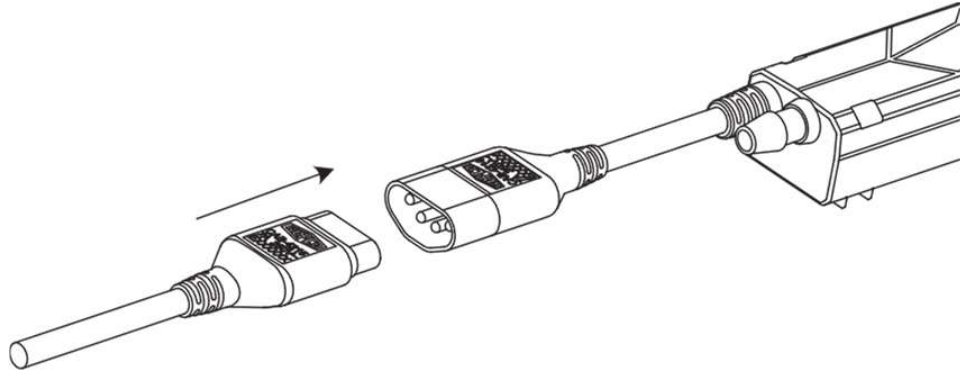
8.9 Installare il cavo di installazione

Il cavo di installazione deve essere collegato alla morsettiera di alimentazione dell'unità interna.



Opzionalmente, i fili grigio e viola possono essere collegati per commutare l'alimentazione dell'unità interna. Ciò consente alla pompa di disattivare l'unità nel caso in cui venga generata una quantità d'acqua eccessiva rispetto a quella che la pompa è in grado di gestire.

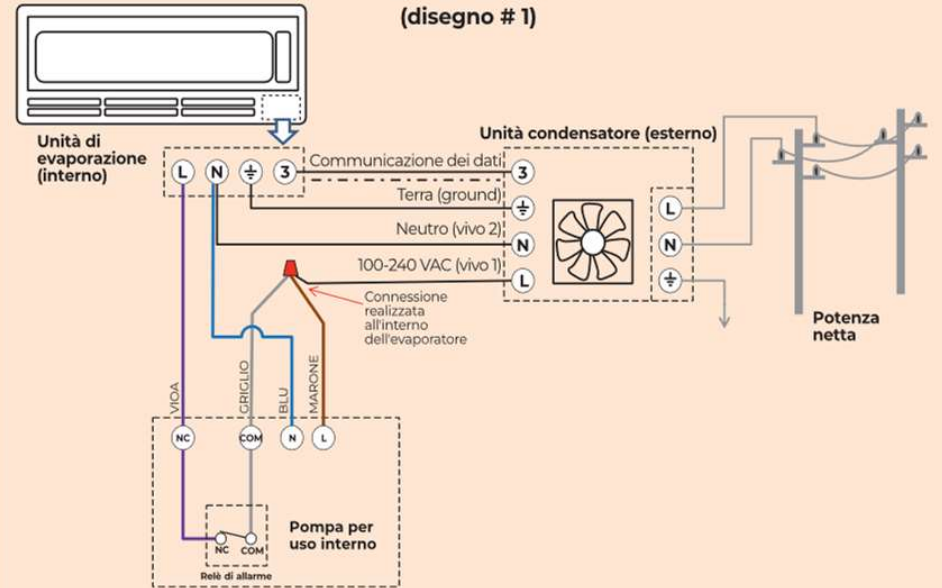
8.10 Effettuare il collegamento tra il cavo di installazione e la pompa



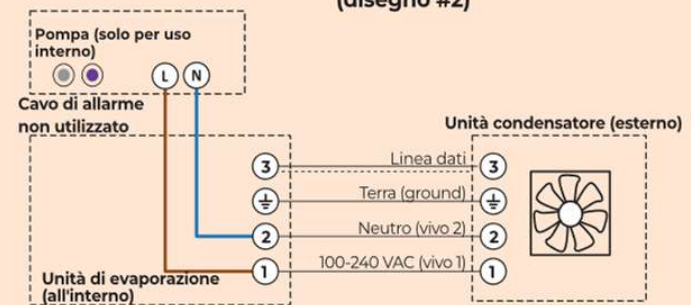
8.11 Cablaggio

Di seguito sono riportati esempi di cablaggio con e senza relè di allarme. Il relè d'allarme può essere utilizzato per disattivare la fonte d'acqua di condensa nel caso in cui la pompa VAMP-F abbia rilevato un livello d'acqua superiore a quello previsto.

Quando l'unità di evaporazione dell'interno viene alimentata dall'unità esterna del condensatore (disegno # 1)



Alimentazione solo senza circuito di allarme (disegno #2)



8.12 Messa in servizio

Una volta completata l'installazione, ripristinare il collegamento elettrico al dispositivo.

Il possibile lampeggio periodico del LED indica il normale funzionamento della pompa.

Aggiungere acqua con un flacone dosatore nella vaschetta di condensa, che scaricherà nel tubo flessibile estensibile. Quando una quantità d'acqua sufficiente è entrata nel serbatoio della pompa, quest'ultima si attiva e scarica l'acqua.

Se avete utilizzato il relè di allarme nella vostra installazione, verificatelo aggiungendo una quantità d'acqua sufficiente a mantenere il livello dell'acqua sopra la parte superiore della pompa per almeno cinque secondi. Dopo tre secondi di pompaggio, il relè di allarme si attiverà, interrompendo l'alimentazione dell'unità interna. Questo non interrompe l'alimentazione della pompa stessa. Questa continuerà a funzionare fino a quando l'acqua non sarà stata svuotata dal serbatoio. A quel punto il relè d'allarme ripristina l'alimentazione dell'unità interna.

Controllo finale:

- Il LED lampeggia in verde
- Applicazione dell'acqua: Il LED lampeggia continuamente verde e poi rosso
- La pompa è installata orizzontalmente
- La valvola anti-sifone è installata
- Il tubo di ventilazione è installato
- Fascette utilizzate per fissare il tubo flessibile, la pompa e il tubo di drenaggio

9.0 Manutenzione

Per garantire prestazioni ottimali, la pompa VAMP-F deve essere ispezionata e pulita regolarmente nell'ambito del programma di manutenzione del sistema. Si consiglia di eseguire la pulizia almeno una volta all'anno.

9.1 Pulizia del sensore

Rimuovere il tubo flessibile estensibile dalla parte anteriore dell'unità di pompa. Utilizzando una torcia o un'altra fonte di luce, controllare il sensore ottico nella parte anteriore della pompa. Se è sporco o c'è ad esempio un accumulo di alghe, pulire delicatamente il sensore con un panno umido. Per la pulizia del sensore ottico non utilizzare solventi diversi dall'acqua.

9.2 Sostituzione del filtro e del tubo flessibile estensibile

Il tubo flessibile estensibile è dotato di un filtro integrato per evitare che le particelle danneggino o intasino la pompa e i tubi. Se necessario, rimuovere il filtro e pulire il filtro e il tubo con acqua e sapone, quindi rimettere il filtro.

Se il tubo flessibile estensibile è danneggiato o troppo sporco per essere pulito, può essere sostituito rimuovendolo dall'attacco della vaschetta di condensa e dalla pompa, quindi installando il pezzo di ricambio.

9.3 Sostituzione della pompa

Controllare che l'involucro della pompa e i cavi elettrici non presentino segni di danneggiamento. Se si riscontrano danni, scollegare l'alimentazione elettrica dell'unità interna e della pompa prima di sostituire la parte danneggiata.

10.0 Risoluzione dei problemi

Guasto	Azione correttiva
Nessun LED acceso	Controllare l'alimentazione elettrica della pompa. Se l'alimentazione elettrica è buona, sostituire la pompa.
La pompa funziona costantemente anche in assenza di acqua	<p>Controllare che l'involucro della pompa sia piatto, cioè orizzontale e non inclinato da dietro a davanti o da un lato all'altro.</p> <p>Controllare che il sensore ottico non sia contaminato e, se necessario, pulirlo come indicato nella sezione "Manutenzione" di questa istruzione d'uso.</p> <p>Controllare che il tubo di drenaggio non sia ostruito o piegato. Se necessario, sostituire il tubo.</p>

11.0 Garanzia

La tua nuova VAMP-F è stata sviluppata secondo le ultime conoscenze in materia di fisiologia del lavoro ed ergonomia e corrisponde all'attuale stato della tecnica. L'azienda REFCO Manufacturing Ltd è stata certificata secondo la norma DIN EN ISO 9001:2015. I regolari controlli di qualità e la lavorazione accurata garantiscono il funzionamento stabile e permettono di rilasciare la garanzia REFCO ai sensi delle condizioni generali di vendita e fornitura in vigore il giorno della consegna. Dalla garanzia sono

esclusi i danni provocati da evidenti inaccurately nell'uso e dall'usura.

12.0 Smaltimento dei resti

La pompa VAMP-F è stata sviluppata per un uso a lungo termine. Nella scelta dei materiali e nella produzione sono stati tenuti in considerazione il risparmio energetico e la sostenibilità ambientale. REFCO Manufacturing Ltd si considera responsabile "a vita" dei propri prodotti. Per questo motivo REFCO Manufacturing si è fatta certificare secondo la norma DIN EN ISO 14001:2015. Per la dismissione del dispositivo, l'utente deve attenersi alle normative locali in materia di smaltimento. L'involucro è in PA, le altre parti in plastica è in PA e l'elettronica è in FR4. L'imballaggio è una scatola di cartone.



13.0 Pezzi di ricambio e accessori

Ricambio	Denominazione	Codice art.
Tubo flessibili estensibile con filtro #4	POSABLE-HOSE/4	4689088
Valvola anti-sifone #4	HSG-4065/4	3004065
Cavo di installazione	CP-INSTALLATION-CABLE	4689089
Accessori		
Filtro in linea	IN-LINE FILTER	4678597
Tubo a stella (50' / 15 m)	STAR-TUBE-600	3004186
Tubo a stella e valvola anti-sifone	KIT-4087	3004087

CONTENIDO

1.0	Introducción	85
2.0	Información general	85
3.0	Especificación	90
4.0	Descripción de productos y piezas	91
5.0	Table de operación de relé de alarma	92
6.0	Indicación LED	93
7.0	Transporte, embalaje y almacenamiento	94
8.0	Instalación	94
9.0	Mantenimiento	103
10.0	Guía de solución de problemas	104
11.0	Garantía	104
12.0	Devolución y eliminación	105
13.0	Piezas de recambio y accesorios	105

1.0 Introducción

Felicitaciones por tu compra de este dispositivo. El manual más reciente se puede descargar en www.refco.ch.

2.0 Información general

Antes de empezar a trabajar con la VAMP-F, por favor, lee atentamente las instrucciones de operación. Contienen información importante para el funcionamiento exitoso, el mantenimiento y la eliminación de la bomba.

Conformidad

	<p>Este dispositivo cumple con las directivas europeas correspondientes. La Declaración de Conformidad está disponible en los detalles de contacto especificados o en el sitio web de REFCO.</p>
	<p>Por lo tanto, también cumple la normativa británica pertinente.</p>
	<p>RCM: Marca de Cumplimiento Regulatorio. Este dispositivo cumple con los requisitos de las regulaciones de RCM.</p>
	<p>RoHS: Restricción de Sustancias Peligrosas. Este dispositivo cumple con los requisitos de la directiva de la UE RoHS. RoHS 2011/65/EU incluyendo la 2015/863/EU. El dispositivo no contiene ninguna sustancia prohibida por encima de los valores máximos permitidos.</p>
	<p>De acuerdo con el Artículo 33 del Reglamento REACH 1907/2006,</p>

confirmamos que este dispositivo y su embalaje cumplen con el Artículo 57 del Reglamento REACH 1907/2006. Este dispositivo y su embalaje no contienen ninguna de las Sustancias de Muy Alta Preocupación (SVHC) especificadas en la 128 Manual de instrucciones lista de candidatos actual (Artículo 59) en concentraciones superiores al 0,1%.

Instrucciones de seguridad importantes



Por favor, lea y siga cuidadosamente todas las instrucciones de seguridad y de instalación y léalo completamente antes del trabajo.

Explicación de los símbolos



Advertencia

El símbolo Advertencia indica una situación potencialmente peligrosa que puede causar lesiones graves si no se evita.



Peligro

Indica peligro por descarga eléctrica. El incumplimiento de las advertencias de seguridad podría provocar lesiones graves o mortales.



Doble aislamiento: En caso de mantenimiento, utilice únicamente piezas de recambio idénticas.

Instrucciones de seguridad

Imprimir instrucciones de seguridad en Letter A/DIN A4.



Siga las normas de seguridad locales y los códigos eléctricos regionales aplicables a la zona en la que se utilice la bomba de condensados.



Instalación solo por personal debidamente capacitado y con formación técnica y herramientas suficientes.



Este aparato no está diseñado para ser utilizado por personas (incluidos niños menores de 8 años) con capacidades físicas, sensoriales o mentales reducidas, o con falta de experiencia y conocimientos, a menos que hayan recibido supervisión o instrucciones sobre el uso del aparato por parte de una persona responsable de su seguridad.

Los niños deben ser vigilados para evitar que jueguen con el aparato.



Sólo para uso en interiores. Para identificar el equipo eléctrico diseñado principalmente para uso en interiores.



Desconecte toda la energía eléctrica antes de comenzar la instalación, el mantenimiento o los trabajos de servicio.



No instale la bomba de condensados REFCO si hay indicios de daños.



El cable de instalación debe comprobarse antes de la instalación y posteriormente de forma periódica para detectar posibles daños. Si un cable está dañado, debe ser sustituido por la pieza correcta suministrada por REFCO o por un servicio técnico autorizado.



Los cordones de la bomba de condensado no deben cortarse y deben tenderse de manera que no puedan dañarse durante y después de la instalación.



Todas las conexiones de los tubos deben asegurarse en su lugar en las conexiones de las lengüetas utilizando bridas auto bloqueantes o una abrazadera.

Non permita que ningún producto químico entre en contacto con la bomba de condensados. Retire la bomba y el sensor de agua antes de utilizar cualquier solución de limpieza de serpentines y otros productos químicos. Lave los serpentines del evaporador con agua antes de volver a instalar la bomba de condensados y el sensor de agua. Asegúrese de que los serpentines del evaporador están libres de productos químicos antes de volver a instalar la bomba REFCO.



El cable de instalación no debe experimentar una carga de tracción.

El cable de instalación debe introducirse completamente en el enchufe.

Utilice únicamente el cable de instalación original.



No instale objetos en las proximidades que puedan afectar a la bomba.



El suministro eléctrico debe estar limitado a menos de 7A.

La unidad interior cableada a través de los cables de alarma violeta y gris no debe consumir más de 5A.



La bomba no debe estar expuesta al sol.

Especificaciones de uso

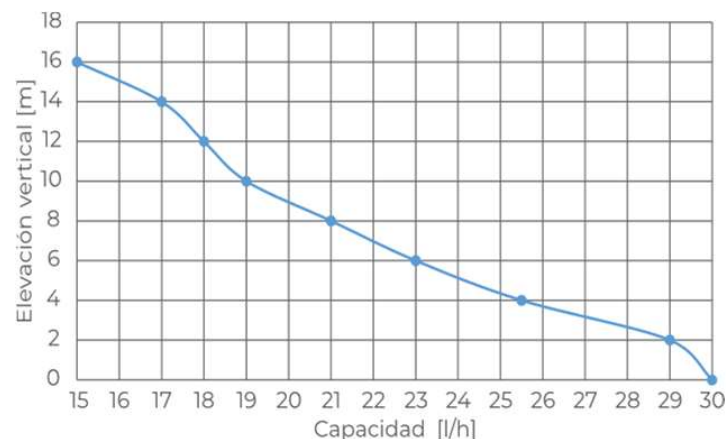
La bomba de condensados VAMP-F está prevista para su uso como unidad de eliminación de condensados y debe instalarse completamente dentro de los armarios de bombas de calor eléctricas, acondicionadores de aire, unidades interiores y deshumidificadores. Esto incluye casetes de techno, convectores de suelo y convectores de pared.

Es de uso exclusivo en interiores y no es sumergible.

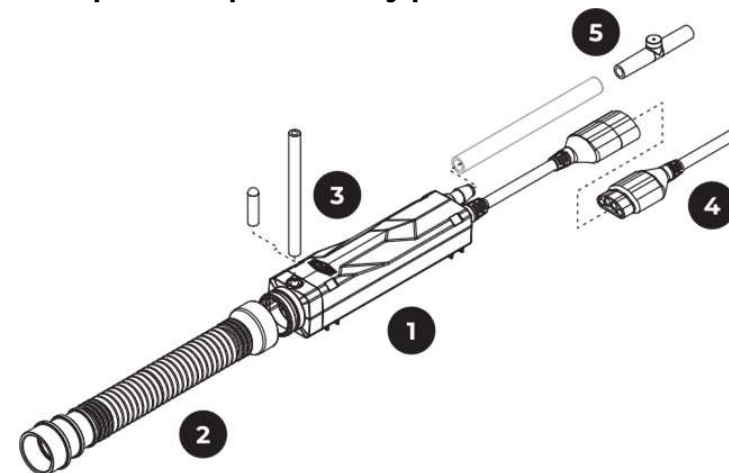
3.0 Especificación

Caudal máximo	22 l/h (6 GPH)
Capacidad de refrigeración máxima	18.5 kW (63'000 BTU/h)
Altura máxima de succión	2 m (6.6 ft)*
Altura máxima de descarga	15 m (50 ft)
Carrera horizontal máxima	75 m (250 ft) a 0 m de altura y 0 m de aspiración
Valores eléctricos	100-240 VAC, 50-60 Hz, 6 W
Relé de alarma	Normalmente cerrado (NC), a prueba de fallos 5 A 250 VAC, 5 A 30 VDC
Temperatura de protección	Sensor controlado por software
Clase de protección	II
Protección contra la penetración	Totalmente encapsulado IP67 Conector del cable IP44
Temperatura de servicio	3 °C – 40 °C (37 °F – 104 °F)
Temperatura del agua	5 °C – 40 °C (37 °F – 104 °F)
Temperatura de depósito	-20 °C – 70 °C (-4 °F – 158 °F)
Nivel de sonido	<20 dB(A) at 1 m (3 ft) de distancia
Tubo de descarga (no incluido)	¼" o 6 mm
Dimensiones	30 × 26 × 128 mm (1.2 × 1.0 × 5.0")
Peso	140 g (4.9 oz)
Color	Negro (RAL 9001)
Conformidad	CE

* no se aplica la elevación por aspiración para VAMP-F



4.0 Descripción de productos y piezas



- 1 VAMP-F bomba
- 2 Manguera flexible retráctil con filtro
- 3 Tubo de ventilación
- 4 Cable de instalación
- 5 Válvula anti-sifón

5.0 Table de operación de relé de alarma

Estado de la bomba	Nivel de condensado	Modo estándar
Sin energía	N/A	NC ○ — ○ COM
Energía	Bajo nivel de alarma	NC ○ — ○ COM
Energía	Alarma activada	NC ○ — ○ COM

6.0 Indicación LED

■ rojo ■ verde

Estado	Patrón LED	Razón
Sin energía		Incorrectamente cableado, desconectado o sin voltaje
LED de inicio		La bomba está arrancando
Inactivo		Sin agua para bombear
Bombear agua		La bomba está funcionando
Nivel de agua alto		Velocidad de bomba aumentada
Relé de modo de alarma		Nivel de agua alto, alarma activada
Temperatura alta		Temperatura alta detectada
Estado no válido		El sensor necesita limpieza

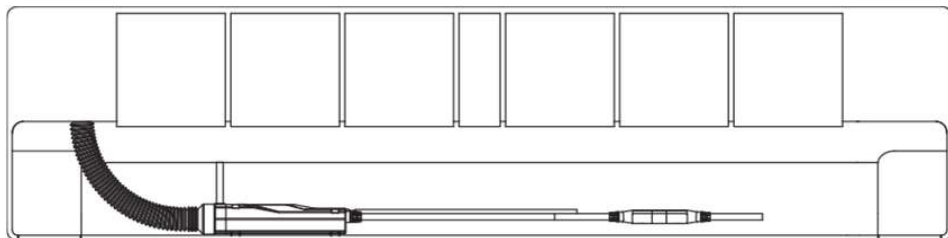
7.0 Transporte, embalaje y almacenamiento

El VAMP-F se entrega en una caja de cartón para proteger las piezas. La caja de cartón protege contra las vibraciones durante el transporte y la manipulación. Utilice siempre la caja de cartón para proteger el VAMP-F los accesorios y fíjela al maletero durante el transporte. Deben mantenerse las temperaturas de almacenamiento (apartado 3) y el embalaje debe estar cerrado. No exponer al sol directo ni a altas temperaturas, por ejemplo, dentro de vehículos de servicio.

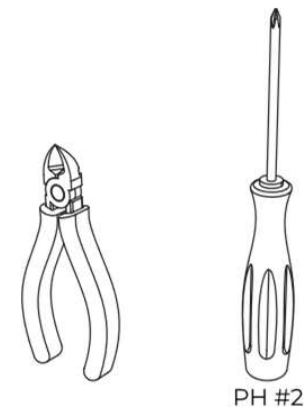
8.0 Instalación

8.1 Aplicación

El REFCO VAMP-F está diseñado para su uso dentro de una unidad interior de aire acondicionado. Su propósito es eliminar el agua condensada de la bandeja de condensados de la unidad interior en circunstancias en las que el tubo de descarga de la unidad no es suficiente.



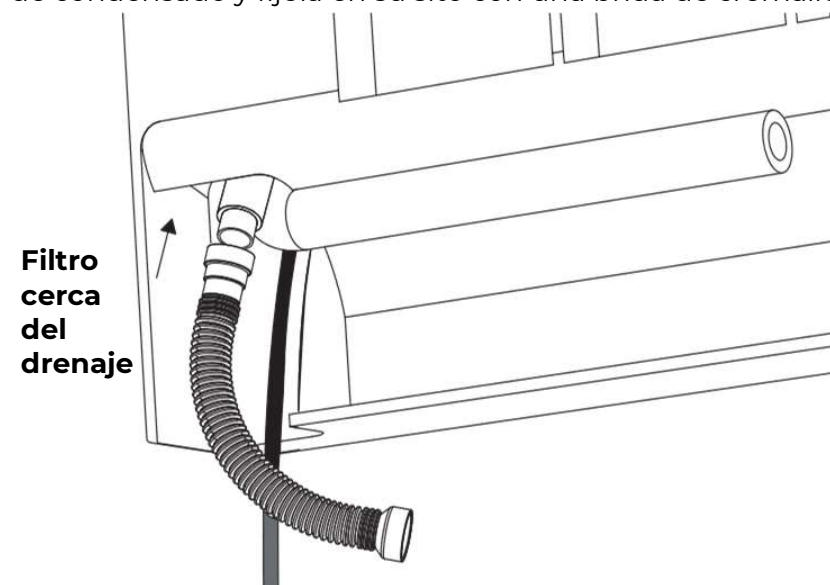
8.2 Herramientas necesarias



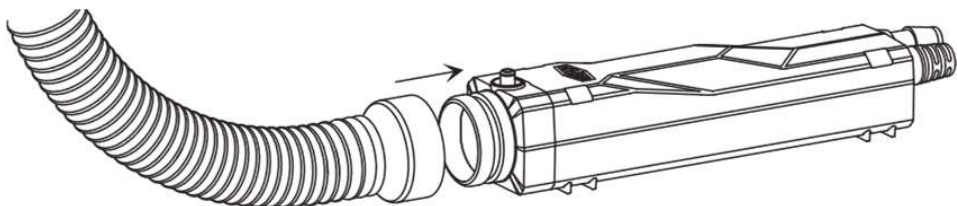
8.3 Instale la manguera flexible retráctil

Desconecte el tubo flexible de descarga de la conexión de bandeja de condensado.

Empuje la manguera flexible retráctil hacia la conexión de bandeja de condensado y fíjela en su sitio con una brida de cremallera.

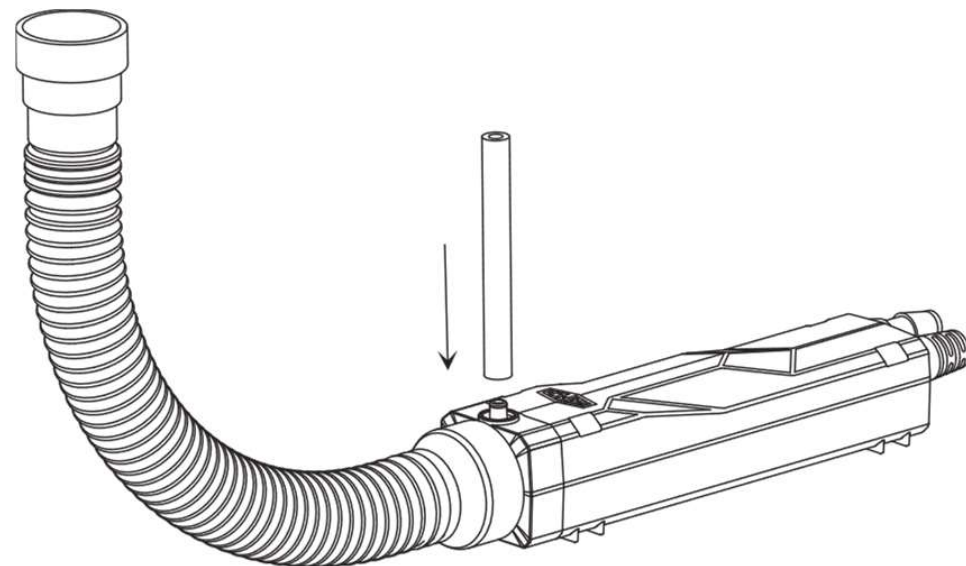


8.4 Conecte la manguera flexible retráctil al reservorio. Coloque la bomba en un lugar adecuado dentro de la cavidad de la unidad interior, de forma que sea posible conectar la entrada de agua de la bomba a la manguera flexible retráctil. Empuje el extremo libre de la manguera flexible retráctil hacia la entrada de agua de la bomba y fíjela con una brida. Debe asegurarse de que la bomba esté en posición vertical, de modo que la conector del tubo de ventilación esté orientada hacia arriba, para garantizar el correcto funcionamiento de la bomba.



8.5 Tubo de ventilación

Empuje el tubo de ventilación suministrado en la conector, como se muestra. Asegúrese de que la parte superior del tubo esté más alta que el agua de la manguera flexible retráctil y la bandeja de condensado. Si es necesario, asegure el tubo de ventilación para que no se mueva cuando el producto esté en uso. No se recomienda utilizar la bomba sin el tubo de ventilación instalado.

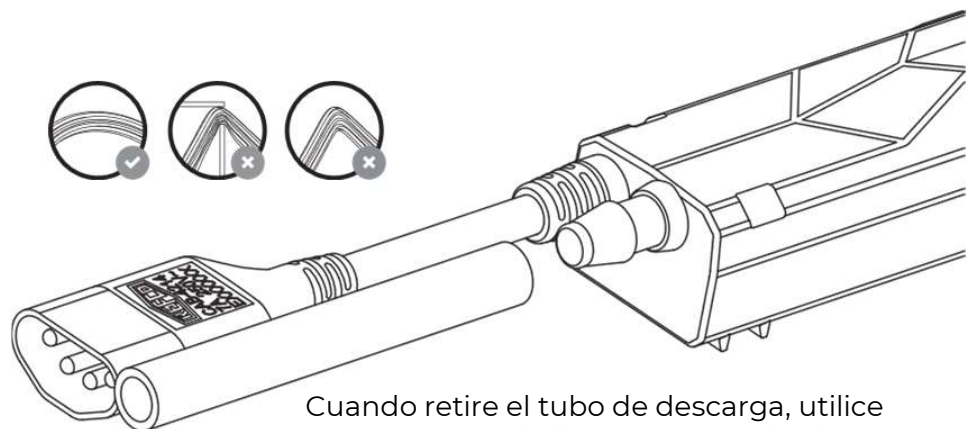


8.6 Ubicación de la bomba (plana)

La instalación horizontal de la bomba es esencial para su funcionamiento. Monte la bomba con dos sujetacables en la superficie plana.

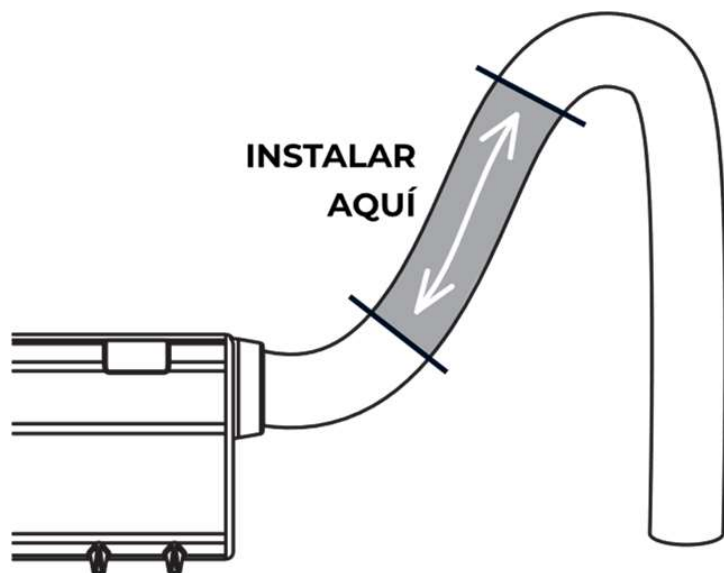
8.7 Conecte el tubo de descarga

Conecte el tubo de descarga de 1/4" / 6 mm al conector de salida. Asegúrese de que el tubo de descarga no tiene dobleces a lo largo de su longitud que impidan que el agua fluya.



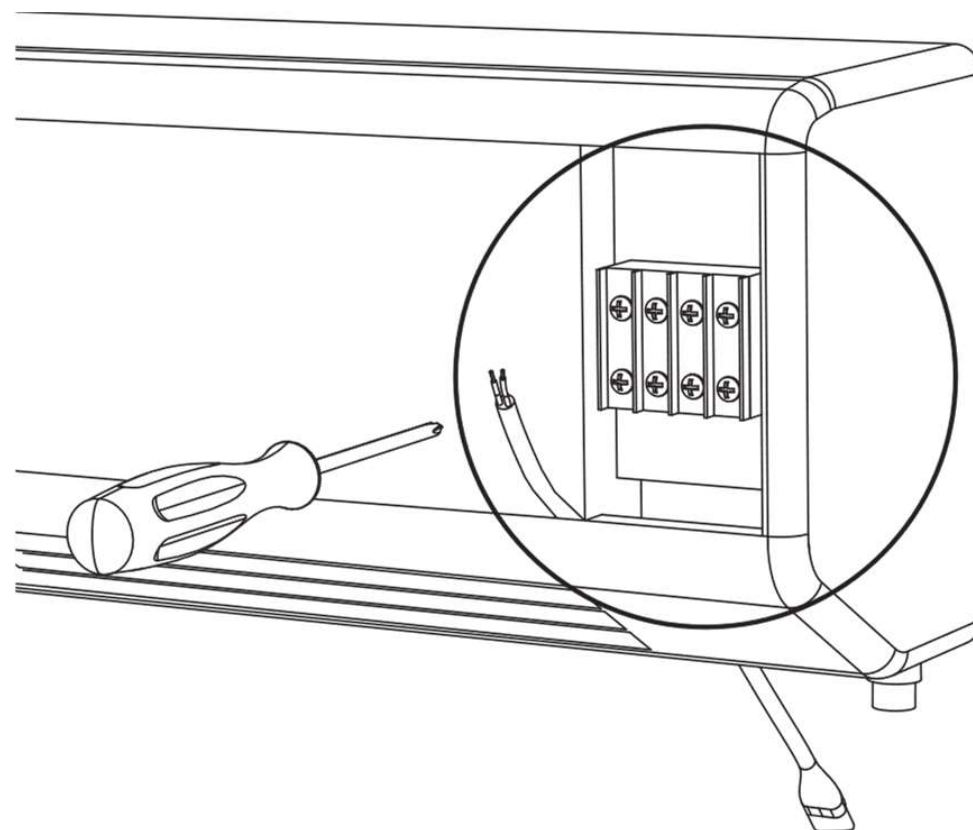
Cuando retire el tubo de descarga, utilice siempre un cuchillo para cortar el tubo. Una fuerza excesiva puede destruir la bomba.

8.8 Instale la válvula antisifón en su tubo de descarga.



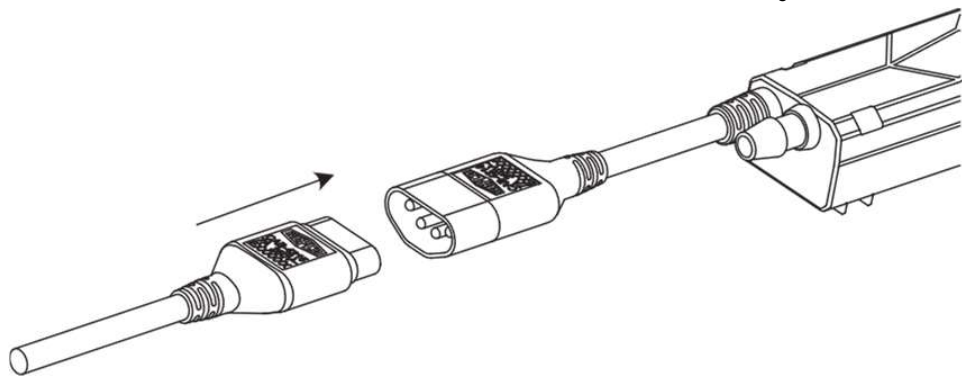
8.9 Instale el cable de instalación

El cable de instalación debe conectarse al bloque de terminales de alimentación dentro de la unidad interior.



Opcionalmente, los cables gris y violeta pueden conectarse para controlar la alimentación de la unidad interior. Esto permitirá que la bomba desactive la unidad en caso de que se genere demasiada agua para la capacidad de la bomba.

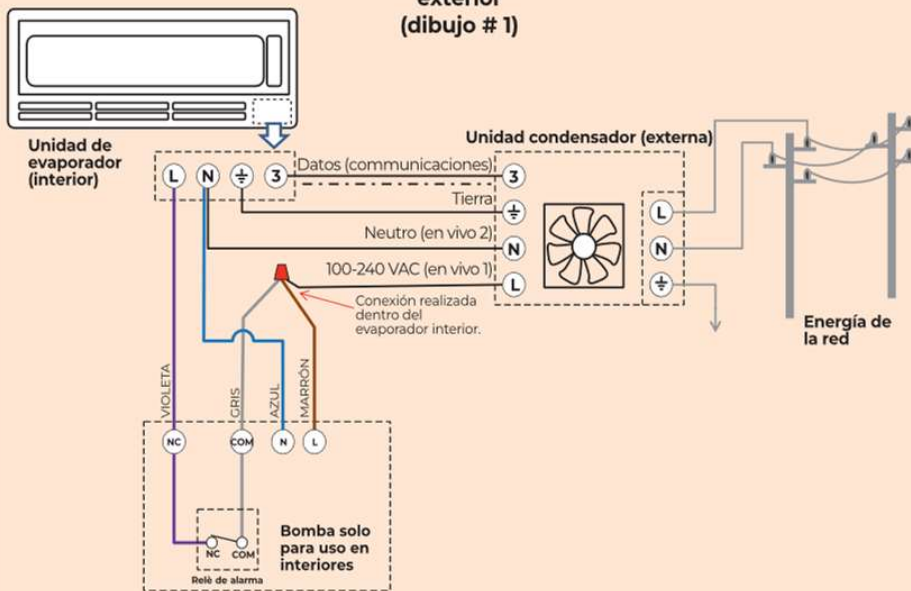
8.10 Realice la conexión entre el cable de instalación y la bomba



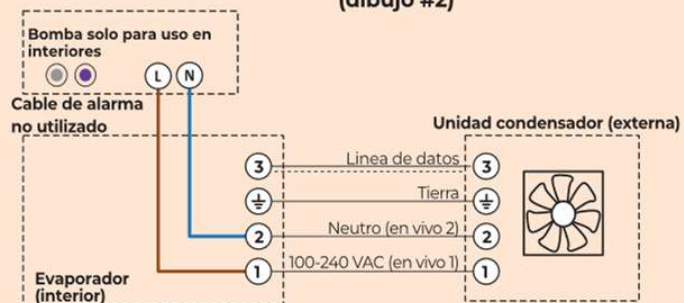
8.11 Cableado

A continuación, se muestran ejemplos de conexiones con y sin el relé de alarma. El relé de alarma puede utilizarse para desactivar la Fuente de agua condensada en caso de que la bomba VAMP-F haya detectado un nivel del agua superior al esperado.

Cuando la unidad evaporadora interior es alimentada por la unidad condensadora exterior (dibujo # 1)



Energía solo sin circuito de alarma (dibujo #2)



8.12 Puesta en servicio

Una vez finalizada la instalación, restablezca la conexión eléctrica del aparato.

Debería ver un LED que parpadea periódicamente para indicar el funcionamiento normal de la bomba.

Añada agua con una botella dispensadora a la bandeja de condensados, que vaciará en la manguera flexible retráctil. Cuando haya entrado suficiente agua en el depósito de la bomba, ésta se activará y evacuará el agua.

Si ha utilizado el relé de alarma en su instalación, compruébelo añadiendo agua suficiente para mantener un nivel de agua por encima de la parte superior de la bomba durante al menos, cinco segundos. Después de tres segundos de bombeo, se activará el relé de alarma, que cortará la alimentación de su unidad interior. Esto no corta la alimentación de la bomba en sí. Continuará funcionando hasta que se haya vaciado el agua del depósito, en ese momento, el relé de alarma restablecerá la alimentación de la unidad interior.

Comprobación final:

- El LED parpadea en verde
- Aplicación de agua: El LED cambia a verde permanente y luego a rojo
- La bomba está instalada horizontalmente
- La válvula anti-sifón está instalado
- Tubo de ventilación está instalado
- Bridas para fijar la manguera flexible retráctil, la bomba y el tubo de descarga

9.0 Mantenimiento

Para mantener un rendimiento óptimo, la bomba VAMP-F debe inspeccionarse y limpiarse como parte del programa de mantenimiento regular del sistema. Se recomienda limpiarla al menos una vez al año.

9.1 Limpieza del sensor

Retire la manguera flexible retráctil de la parte delantera de la unidad de bombeo. Utilizando una linterna u otra fuente de luz, compruebe el sensor óptico de la parte delantera de la bomba. Si está sucio o hay acumulación de, por ejemplo, algas, limpie el sensor suavemente con un paño húmedo. No utilice disolventes distintos del agua para limpiar el sensor óptico.

9.2 Cambio del filtro y de la manguera flexible retráctil

La manguera flexible retráctil tiene un filtro integrado para evitar que las partículas dañen u obstruyan la bomba y las mangueras. Si es necesario, retire el filtro y limpie el filtro y la manguera con agua jabonosa y, a continuación, vuelva a colocar el filtro.

Si la manguera flexible retráctil está dañada o demasiado sucia para limpiarla, se puede sustituir retirándola de la conexión de bandeja de condensado y la bomba, y luego instalando la pieza de repuesto.

9.3 Sustitución de la bomba

Compruebe si el cuerpo de la bomba y los cables eléctricos presentan algún signo de daño. Si se encuentra algún daño, aisle el suministro eléctrico de la unidad interior y de la bomba antes de sustituir la pieza dañada.

10.0 Guía de solución de problemas

Fallo	Solución
No se enciende el LED	Compruebe la alimentación eléctrica de la bomba. Si el suministro eléctrico es correcto, sustituya la bomba.
La bomba funciona constantemente	<p>Compruebe que el cuerpo de la bomba esté plano, es decir, horizontal y no inclinado de atrás hacia delante o de un lado a otro.</p> <p>Compruebe si el sensor óptico está sucio y límpielo, si es necesario, como se indica en la sección Mantenimiento de este manual de instrucciones.</p> <p>Compruebe que el tubo de descarga no esté obstruido ni doblado. Sustituya el tubo si es necesario.</p>

11.0 Garantía

Tu nueva y avanzada VAMP-F ha sido desarrollada de acuerdo con los últimos hallazgos en fisiología ocupacional y ergonomía. REFCO Manufacturing Ltd ha sido certificada según la norma DIN EN ISO 9001:2015. Controles regulares de calidad, así como un proceso de fabricación preciso, garantizan una funcionalidad confiable y son la base para la garantía de REFCO, de acuerdo con los Términos y Condiciones Generales de Venta y Entrega aplicables en el día de la entrega. Quedan excluidos de la garantía los daños causados por maltrato evidente y desgaste normal.

12.0 Devolución y eliminación

El VAMP-F se ha sido desarrollada para un uso a largo plazo. Se prestó atención a la eficiencia energética y la compatibilidad medioambiental durante las etapas de adquisición de materiales y producción. REFCO asume su responsabilidad hacia el medio ambiente, y por lo tanto ha sido certificada de acuerdo con la norma DIN EN ISO 14001:2015. Al retirar el aparato del servicio, el usuario debe seguir las normas locales de eliminación de residuos. La carcasa es de PA, las demás piezas de plástico son de PA y la electrónica es FR4. El embalaje es una caja de cartón.



13.0 Piezas de recambio y accesorios

Piezas de recambio	Designación	Ref.
Manguera flexible retráctil con filtro #4	POSABLE-HOSE/4	4689088
Válvula anti-sifón	HSG-4065/4	3004065
Cable de instalación	CP-INSTALLATION-CABLE	4689089
Accesorios		
Filtro en línea	IN-LINE FILTER	4678597
Tubo estrella (15 m)	STAR-TUBE-600	3004186
Tubo estrella y válvula anti-sifón	KIT-4087	3004087



REFCO Manufacturing Ltd.

Industriestrasse 11

CH-6285 Hitzkirch

+41 41 919 72 82

info@refco.ch

www.refco.ch

40/2024